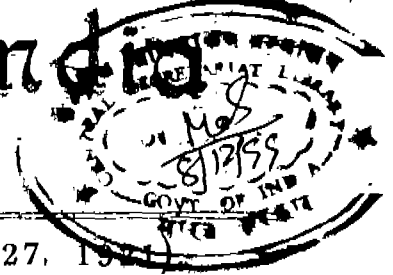




# भारत का राजपत्र The Gazette of India

प्राधिकार से प्रकाशित  
PUBLISHED BY AUTHORITY



सं० 38। नई दिल्ली, शनिवार, सितम्बर 18, 1999 (भाद्रपद 27, 1921)  
No. 38] NEW DELHI, SATURDAY, SEPTEMBER 18, 1999 (BHADRA 27, 1921)

इस भाग में भिन्न पृष्ठ संख्या दी जाती है जिससे कि यह अलग संकलन के रूप में रखा जा सके  
[Separate paging is given to this Part in order that it may be filed as a separate compilation]

## भाग III—खण्ड 2 [PART III—SECTION 2]

पेटेंट कार्यालय द्वारा जारी की गई पेटेंटों और डिजाइनों से सम्बन्धित अधिसूचनाएं और नोटिस  
[Notifications and Notices Issued by the Patent Office relating to Patents and Designs]

THE PATENT OFFICE  
PATENTS AND DESIGNS

Calcutta, the 18th September 1999

### ADDRESS AND JURISDICTION OF THE OFFICES OF THE PATENT OFFICE

The Patent Office has its Head Office at Calcutta and Branch Offices at Mumbai, Delhi and Chennai having territorial Jurisdiction on a Zonal basis as shown below :—

Patent Office Branch,  
Todi Estates, IIIrd Floor,  
Lower Parel (West), Mumbai-400 013.

The States of Gujarat,  
Maharashtra, Madhya Pradesh and  
Goa and the Union  
Territories of Daman and  
Diu and Dadra and Nagar Haveli.

Telegraphic address "PATOFFICE".  
Phone No. 4825092  
Fax No. 022 4950622

Patent Office Branch,  
Unit No. 401 to 405, IIIrd Floor,  
Municipal Market Building,  
Saraswati Marg, Karol Bagh,  
New Delhi-110 005.

The States of Haryana,  
Himachal Pradesh, Jammu and  
Kashmir, Punjab, Rajasthan,  
Uttar Pradesh and Delhi and  
the Union Territory of  
Chandigarh

Telegraphic address "PATENTOFIC"  
Phone No. 578 2532  
Fax No. 011 576 6204

Patent Office Branch,  
Wing 'C' (C-4, A),  
IIIrd Floor, Rajaji Bhavan, Besant Nagar,  
Chennai-600 090.

The States of Andhra Pradesh,  
Karnataka, Kerala, Tamilnadu and  
Pondicherry and the Union  
Territories of Laccadive, Minicoy  
and Amindivi Islands.

Telegraphic address "PATENTOFIS"  
Phone No. 490 1495  
Fax No. 044 490 1492

Telegraphic address "PATENTOFIC"  
"NIZAM PALACE", 2nd M.S.O.  
Building, 5th, 6th and 7th  
Floors, 234/4, Acharya Jagadish  
Bose Road, Calcutta-700 020.

Rest of India.

Telegraphic address "PATENTS"  
Phone No. 2474401  
Fax No. 033 247 3851

The Head Office of the Patent  
Office at Calcutta is the  
Receiving Office, Elected  
Office and Designated Office  
for International Applications  
under P.C.T.

All applications, notices, statements or other documents or any fees required by the Patents Act, 1970 and the Patents (Amendment) Act, 1999 or the Patents Rules, 1972 as amended by The Patents (Amendment) Rules, 1999 will be received only at the appropriate offices of the Patent Office.

Fees.—The fees may either be paid in cash or may be sent by Bank Draft or Cheques payable to the Controller of Patents drawn on a scheduled bank at the place where the appropriate office is situated.

पेटेंट कार्यालय  
एकस्य तथा अभिकल्प

कलकत्ता, दिनांक 18 सितम्बर 1999

पेटेंट कार्यालय के कार्यालयों के पते एवं क्षेत्राधिकार

पेटेंट कार्यालय का प्रधान कार्यालय कलकत्ता में अवस्थित है तथा मुम्बई, दिल्ली एवं चेन्नई में इसके शाखा कार्यालय हैं, जिनके प्राथमिक क्षेत्राधिकार जॉन की आधार पर निम्न रूप में प्रदर्शित हैं :—

पेटेंट कार्यालय शाखा, टोडी इस्टेट,  
तीसरा तल, लॉकर परतल (प.),  
मुम्बई-400013 ।

गुजरात, महाराष्ट्र, मध्य प्रदेश  
तथा गोआ राज्य क्षेत्र एवं संघ  
शासित क्षेत्र, बमन तथा दोव एवं  
दावर और नगर हवेली ।

तार पता - "पेटेंटॉफिक"

फोन 4825092 फैक्स : 022 4950 622

पेटेंट कार्यालय शाखा,  
एकक सं. 401 से 405, तीसरा तल,  
नगरपालिका बाजार भवन,  
सरस्वती मार्ग, कर्नाल बाग,  
नई दिल्ली-110 005 ।

हरियाणा, हिमाचल प्रदेश, जम्मू  
तथा कश्मीर, पंजाब, राजस्थान,  
उत्तर प्रदेश तथा दिल्ली राज्य  
क्षेत्रों एवं संघ शासित क्षेत्र अंडीगढ़ ।

तार पता - "पेटेंटॉफिक"

फोन : 578 2532 फैक्स : 011 576 6204

पेटेंट कार्यालय शाखा,  
विंग "सी" (सी-4, ए),  
तीसरा तल, राजाजी भवन,  
बसन्त नगर, चेन्नई-600090 ।

आन्ध्र प्रदेश, कर्नाटक, केरल, तमिलनाडु,  
तथा पाण्डिचेरी राज्य क्षेत्र एवं  
संघ शासित क्षेत्र, लक्षद्वीप, मिनिक्काय  
तथा एमिनिदिवि द्वीप ।

तार पता - "पेटेंटॉफिक"

फोन : 490 1495 फैक्स : 044 490 1492

पेटेंट कार्यालय (प्रधान कार्यालय),  
निजाम पैलेस, द्वितीय बहुतलीय कार्यालय  
भवन, 5, 6 तथा 7वां तल,  
204/4, आचार्य जगदीश जोस मार्ग,  
कलकत्ता-700 020 ।

भारत का अवशेष क्षेत्र ।

तार पता - "पेटेंट्स"

फोन : 2474401 फैक्स : 033 247 3851

पेटेंट कार्यालय का कलकत्ता स्थित प्रधान कार्यालय पेटेंट सह-  
योग संधि के अधीन अन्तरराष्ट्रीय आवेदनों के लिए रिसेप्टीव  
कार्यालय, इलेक्ट्रॉनिक कार्यालय व डीसिम्बोटैड कार्यालय है ।

पेटेंट अधिनियम, 1970 तथा पेटेंट (संशोधन) अधिनियम,  
1999 अथवा पेटेंट (संशोधन) नियम, 1972 द्वारा अपीकृत  
रूपी आवेदन, सूचनाएं, विवरण या अन्य वस्तुओं या कोई  
फॉर्म पेटेंट कार्यालय के केवल समुचित कार्यालय में ही प्रहण  
किये जायेंगे ।

शुल्क : शुल्कों की अदायगी या तो नकद की जाएगी अथवा  
जहाँ उपयुक्त कार्यालय अवस्थित है, उस स्थान के अनुसूचित  
बैंक में नियंत्रक को भगतान योग्य बैंक ड्राफ्ट अथवा चेक द्वारा  
की जा सकती है ।

International Application for Patent filed under Patent Co-  
operation Treaty (PCT) at Patent office, Calcutta being  
receiving office for India during the period from 07-03-99 to  
21-07-99

1. Application No. : PCT/IN99/00008
2. Filing Date : 15th MARCH, 1999
3. Name of Applicant : VARMA TRAFAG LIMITED
4. Title of Invention : MULTIPOINT DIGITAL TEMPERATURE CONTROLLER
5. Field of Invention : ELECTRONIC
6. Remarks (Whether priority claimed or not) : CLAIMED PRIORITY ON PATENT NO. 297/Bom/98 & 298/Bom/98 dated 15-05-98

1. Application No. : PCT/IN/99/00008
2. Filing Date : 15 MARCH, 1999
3. Name of Applicant : JOSHI VASANT
4. Title of Invention : MEANS FOR DISABLING CAM OPERATIONS OF DEVICES
5. Field of Invention : Mechanical
6. Remarks (whether priority claimed or not) : CLAIMED PRIORITY ON PATENT NO. 60/BOM/98 DT. 14-03-1998

1. Application No. : PCT/IN99/00009
2. Filing Date : 18-03-1999
3. Name of Applicant : SUBBA RAO
4. Title of Invention : PROCESS FOR PREPARING CYCLODEXTRIN INCLUSION COMPLEX.
5. Field of Invention : CHEMICAL
6. Remarks (whether priority claimed or not) : NO PRIORITY CLAIMED

1. Application No. : PCT/IN99/00010
2. Filing Date : 30TH MARCH 1999
3. Name of Applicant : SUN PHARMACEUTICALS INDUSTRIES LTD.
4. Title of Invention : A PROCESS FOR THE SYNTHESIS OF ALKOXYALKYL (TRIFLUOROMETHYLPHENYL) METHANONES
5. Field of Invention : CHEMICAL
6. Remarks (whether priority claimed or not) : CLAIMED PRIORITY ON PATENT NO. 275/BOM/98 DATED 12-05-98

1. Application No. : PCT/IN99/00011
2. Filing Date : MARCH 31, 1999
3. Name of Applicant : SUBBA RAO, PILLARISETTI VENKATA
4. Title of Invention : AN ENVIRONMENT FRIENDLY ACARICIDE FORMULATION
5. Field of Invention : CHEMICAL
6. Remarks (whether priority claimed or not) : Priority claimed on Patent Application No. 827/Mas/98 dt. 17-04-98

1. Application No. : PCT/IN99/00013
2. Filing Date : 22ND APRIL, 1999
3. Name of Applicant : ASTRA BIOCHEMICALS PVT. LTD.
4. Title of Invention : NEW ASSAY
5. Field of Invention : CHEMICAL
6. Claimed priority or not : NO PRIORITY CLAIMED.

1. Application No. : PCT/IN99/00015
2. Filing Date : 29TH APRIL, 1999
3. Name of Applicant : SUN PHARMACEUTICAL INDUSTRIES LTD.
4. Title of Invention : STABLE PHARMACEUTICAL COMPOSITIONS OF THIENO (3, 2-C) PYRIDINE DERIVATIVES
5. Field of Invention : CHEMICAL
6. Claimed priority or not : PRIORITY CLAIMED ON PATENT NO. 428/BOM 98 DATED 01-07-98 & 429/BOM/98 DATED 01-07-98

1. Application No. : PCT/IN99/00016
2. Filing Date : 7TH MAY, 1999
3. Name of Applicant : PATEL, M. V. GUPTA, S. V. UPADHYAY, D. J. CHUGH, Y SAOJI, D. G. AGARWAL, S. K. DE SOUZA, N. J.
4. Title of Invention : PHARMACEUTICAL COMPOSITIONS CONTAINING BENZOQUINOLIZINES AND METHODS OF USE THEREOF.
5. Field of Invention : CHEMICAL
6. Claimed priority or not : NO PRIORITY CLAIMED.

1. Application No. : PCT/IN99/00017.
2. Filing Date : 19 MAY 1999.
3. Name of Applicant : TAMBE MOHAN.
4. Title of Invention : THE INVENTION DESCRIBES AN AUDIENCE INTERACTION SYSTEM FOR ENRICHING THE INTERACTION OF A PRESENTER WITH HIS AUDIENCE BY ALLOWING HIM TO ACQUIRE/EVALUATE THEIR SPONTANEOUS/ELICITED FEEDBACK IN TERMS OF THEIR PREFERRED CHOICES OR VOICED RESPONSES.
5. Field of Invention : ELECTRONIC.
6. Claimed priority or not : NO PRIORITY CLAIMED.

1. Application No. : PCT/IN99/00018.
2. Filing Date : 19 MAY 1999.
3. Name of Applicant : TAMBE MOHAN.
4. Title of Invention : A CABLE HEAD-END BASED INTERACTIVE MEDIA EDUCATION SYSTEM.
5. Field of Invention : ELECTRONIC.
6. Claimed priority or not : NO PRIORITY CLAIMED.

1. Application No. : PCT/IN99/00019.
2. Filing Date : 21 MAY 1999.
3. Name of Applicant : DHONDE ANIL, TUKARAM.
4. Title of Invention : A TWO INLINE SEGMENTED CHAIN TRACK CRAWLER.
5. Field of Invention : MECHANICAL.
6. Claimed priority or not : PRIORITY CLAIMED ON PATENT APPLICATION NO. 834/BOM/98 DATED 28-05-98.

1. Application No. : PCT/IN99/00020.
2. Filing Date : 01 JUNE 1999.
3. Name of Applicant : VARMA TRAFAG LIMITED.
4. Title of Invention : TEMPERATURE SENSING DEVICE WITH CALIBRATION DATA.
5. Field of Invention : ELECTRONICS.
6. Claimed priority or not : NO PRIORITY CLAIMED.

1. Application No. : PCT/IN99/00021.
2. Filing Date : 02 JUNE 1999.
3. Name of Applicant : RAMA ANAND.
4. Title of Invention : PROCESS OF PREPARING FURNITURE AND DECORATIVE ITEMS.
5. Field of Invention : MECHANICAL.
6. Claimed priority or not : CLAIMED PRIORITY ON PATENT NO. 2240/DEL/98 DATED 31-07-98.

1. Application No. : PCT/IN99/00022.
2. Date of Receipt : 10 JUNE 1999.
3. Name of Applicant : LAKHOTIA VIVEK.
4. Title of Invention : INTERLOCKING BUILDING ELEMENTS/CONSTRUCTION BLOCKS USING SPRING ACTION SNAP MECHANISM.
5. Field of Invention : MECHANICAL.
6. Claimed priority or not : PRIORITY CLAIMED ON PATENT APPLICATION NO. 680/DEL/99 DATED 04-05-99.

1. Application No. : PCT/IN99/00023.
2. Date of Receipt : 11 JUNE 1999.
3. Name of Applicant : SOLANKI H. CHANDRAKANT, SOLANKI H. TRUPTI.
4. Title of Invention : A WRENCH.
5. Field of Invention : MECHANICAL.
6. Claimed priority or not : NO PRIORITY CLAIMED.

1. Application No. : PCT/IN99/00024.
2. Date of Receipt : 11 JUNE 1999.
3. Name of Applicant : JOSHI KALPANA.
4. Title of Invention : AN APPARATUS AND METHOD FOR MEASURING AND MONITORING COMPLEX PERMITTIVITY OF MATERIALS.
5. Field of Invention : MECHANICAL.
6. Claimed priority or not : NO PRIORITY CLAIMED.

1. Application No. : PCT/IN99/00025.
2. Date of Receipt : 14 JUNE 1999.
3. Name of Applicant : SOLANKI V CHANDRA-KANT, SOLANKI H. TRUPTI.
4. Title of Invention : A TOOL.
5. Field of Invention : MECHANICAL.
6. Claimed priority or not : NO PRIORITY CLAIMED.

1. Application No. : PCT/IN99/00026.
2. Filing Date : 23 JUNE 1998.
3. Name of Applicant : JAWAHARLAL NEHRU CENTRE FOR ADVANCED SCIENTIFIC RESEARCH. SUROLIA NAMITA (MRS.), KAMALAPRIYA DHARMAJAN (MRS.), THIRUMALAPURA RAMADHANI NAGARAJA.
4. Title of Invention : USE OF HYDROXYDIPHENYL ETHER CLASS OF CHEMICALS AS EXEMPLIFIED BY TRICLOSAN AS AN ANTIMALARIAL AND IDENTIFICATION OF FATTY ACID SYNTHESIS AS ITS TARGET.
5. Field of Invention : CHEMICAL.
6. Claimed priority or not : NO PRIORITY CLAIMED.

1. Application No. : PCT/IN99/00027.
2. Filing Date : 25 JUNE 1999.
3. Name of Applicant : FUTURICA PETROCHEMICALS (PVT.) LTD.  
MALL SANJIB, KUMAR SREERAMAGIRI SIVA.
4. Title of Invention : A PROCESS FOR PREPARATION OF ADIPIC ACID.
5. Field of Invention : CHEMICAL.
6. Claimed priority or not : NO PRIORITY CLAIMED.

1. Application No. : PCT/IN99/00028.
2. Filing Date : 25 JUNE 1999.
3. Name of Applicant : GOLDEN PEACOCK OVERSEAS LIMITED.  
KAPOOR RAJAN.
4. Title of Invention : A SCREW LESS PUSH BAR LAMPHOLDER.
5. Field of Invention : MECHANICAL.
6. Claimed priority or not : PRIORITY CLAIMED ON PATENT APPLICATION NO. 201/DEL/99 DATED 05-02-1999.

1. Application No. : PCT/IN99/00029.
2. Filing Date : 05 JULY 1999.
3. Name of Applicant : VARMA TRAFAG LIMITED.  
BHATNAGAR RAJIV.
4. Title of Invention : DIGITAL ELECTRONIC CONTROL UNIT FOR DOMESTIC AND COMMERCIAL APPLIANCES.
5. Field of Invention : ELECTRONIC.
6. Claimed priority or not : NO PRIORITY CLAIMED.

1. Application No. : PCT/IN99/00030.
2. Filing Date : 15TH JULY 1999.
3. Name of Applicant : KHANNA PUSHPA.
4. Title of Invention : NOVEL OIL FROM MOMORDICA CHARANTIA-L ITS METHOD OF PREPARATION AND USES.
5. Field of Invention : DRUG.
6. Claimed priority or not : NO PRIORITY CLAIMED.

1. Application No. : PCT/IN99/00031.
2. Filing Date : 16TH JULY 1999.
3. Name of Applicant : VARMA TRAFAG LIMITED.
4. Title of Invention : DIGITAL ELECTRONIC CONTROL UNIT.
5. Field of Invention : ELECTRONIC.
6. Claimed priority or not : NO PRIORITY CLAIMED.

1. Application No. : PCT/IN99/00032.
2. Filing Date : 21ST JULY 1999.
3. Name of Applicant : S. K. AGARWAL, N. J. DE SOUZA.
4. Title of Invention : AN IMPROVED PROCESS FOR THE PRODUCTION OF NAPHTHYRIDONE ANTIBIOTICS.
5. Field of Invention : DRUG.
6. Claimed priority or not : NO PRIORITY CLAIMED.

APPLICATION FOR THE PATENT FILED AT THE HEAD OFFICE  
234/4, ACHARYA JAGADISH BOSE ROAD,  
CALCUTTA-700 020

The dates shown in the crescent brackets are the dates claimed under section 135, under Patent Act, 1970.

20-07-1999

- 639/Cal/99. Pareek Dinesh, "An improved method for the preparation of compost, vermi-compost, & earth-worm culture through vermi-culture".
- 640/Cal/99. Asta Medica AG., "Tramadol multiple unit formulations" (Convention No. 19630035.5 on 25-7-96 in Germany).
- 641/Cal/99. Ormat Industries Ltd., "Externally fired combined cycle gas turbine system".
- 642/Cal/99. Dystar Textilfarben GmbH & Co. Deutschland KG., "Orange dye mixtures of fiber-reactive AZO dyes and use thereof for dyeing material containing hydroxy and/or carboxamido groups" (Convention No. 09/132,318 on 11-08-99 in U.S.A.).
- 643/Cal/99. Kotobuki & Co. Ltd., "Knocking writing utensil" (Convention No. 10-211655 on 27-7-98 & 11-190931 on 05-07-99 in Japan).
- 21-07-1999
- 644/Cal/99. Archimica (Florida) Inc., "Mixtures of trimethylsilylated silicas and alkylsiloxanes" (Convention No. 09/181,173 on 28-10-99 in U.S.A.).
- 645/Cal/99. PFW Aroma Chemicals B. V., "Novel chemical compounds and perfume composition".
- 646/Cal/99. Samsung Electronics Co. Ltd., "Adaptive writing circuit for high-density optical recording apparatus". (Convention No. 98-29732 on 23-7-98 in Republic of Korea).

647/Cal/99. Pailung Machinery Mill Co. Ltd., "Computer-controlled ground mesh jacquard knitting machine".

22-07-1999

648/Cal/99. Kawasaki Steel Corporation, "Box annealing furnace, method for annealing metal sheet using the same, and annealed metal sheet".

649/Cal/99. Basf Corporation, "Clearcoat composition and method for intercoat adhesion" (Convention No. 09/178,025 on 23-10-98 in U.S.A.).

650/Cal/99. W. Schlafhorst AG & Co., "Cheese-producing textile machine" (Convention No. P19836702.3 on 13-8-98 in Germany).

651/Cal/99. W. Schlafhorst AG & Co., "Method for operating a work station of a bobbin winding machine" (Convention No. PP19848881.5 on 23-10-98 in Germany).

652/Cal/99. Matsushita Electric Industrial Co. Ltd., "Mobile station communication apparatus, base station communication apparatus and radio communication method" (Convention No. 10-252991 on 7-9-98 in Japan).

653/Cal/99. Ail Systems, Inc., "Microwave crosspoint blocking switch matrix assembly and a method of manufacturing a switch matrix assembly".

23-07-1999

654/Cal/99. Hitachi Ltd., "Information recording method, reproducing method, and reproducing apparatus" (Convention No. 07-036462 on 24-2-95 in Japan).

655/Cal/99. W. Schlafhorst AG & Co., "Method for detecting yarn residues on spinning cop tubes" (Convention No. P19836071.1 on 10-8-98 in Germany).

656/Cal/99. W. Schlafhorst AG & Co., "Process for shutting down an electrical drive motor, and a brake circuit" (Convention No. P19836701.5 on 13-08-98 in Germany).

657/Cal/99. Basf Corporation, "Method for improving the adhesion of a repair coating to a previously coated substrate" (Convention No. 09/165 147 on 01-10-98 in U.S.A.).

658/Cal/99. General Electric Company, "Steam turbine having a brush seal assembly" (Convention No. 09/122, 960 on 27-7-98 in U.S.A.).

659/Cal/99. Mitsui Chemicals, Inc., "Process for producing aromatic carboxylic acid" (Convention No. 213175/1998 on 28-7-98 in Japan).

26-07-1999

660/Cal/99. Rajgarhia Ashok, "A process for preparing a synergistic composition for the treatment of liver and liver associated ailments".

661/Cal/99. Rajgarhia Ashok, "A synergistic composition for the treatment of liver and liver associated ailments".

662/Cal/99. Vetrotex France, "Process and apparatus for manufacturing chopped thermoplastic fibres". (Convention No. 98/09895 on 3-8-98 in France).

663/Cal/99. Eaton Corporation, "Method of operating a motor vehicle management computer system" (Convention No. 129,275 on 5-8-98 in U.S.A.).

664/Cal/99. Refel S.P.A., "Composite and monolithic refractory structure and method of manufacturing thereof" (Divided out of No. 661/Cal/95 antedated to 12-06-95).

28-07-1999

665/Cal/99. Whirlpool Corporation, "Self regulating device for controlling refrigerants and freezers" (Convention No. MI98A001764 on 29-07-98 in Italy).

666/Cal/99. Chuang Wu-chen and Cheng Chengsiung, "Shuttle for a weaving loom".

667/Cal/99. Samsung Electronics Co. Ltd., "Gated transmission in control hold state in CDMA communication system" (Convention No. 304 42/1998 on 28-7-98; 34146/1998 on 22-8-98 & 36681/1998 on 3-9-98 in Korea).

668/Cal/99. Banerjee Pashupatinath, "Process for manufacture of diabetic tea for controlling diabetic mellitus".

29-07-1999

669/Cal/99. Danieli & Co. Officine Meccaniche SPA, "Method for the continuous casting of thin slabs of high-carbon steels" (Divided out of No. 573/Cal/95 antedated to 22-05-95).

670/Cal/99. Eaton Corporation, "Driveline vibration analyzer" (Convention No. 133,131 on 13-8-98 in U.S.A.).

30-07-1999

671/Cal/99. Hisaria Vijay Kumar, "Linseed fibre scutching machine".

672/Cal/99. Samsung Electronics Co. Ltd., "Method of prioritizing handoff requests in mobile communication system" (Convention No. 31224/1998 on 31-7-98 in Korea).

673/Cal/99. W. Schlafhorst AG & Co., "Support disk of a rotor spinning device" (Convention No. P19845237.3 on 01-10-98 in Germany).

APPLICATION FOR PATENTS FILED IN THE PATENT OFFICE BRANCH, AT TODI ESTATE, IIIRD FLOOR, SUN-MILL COMPOUND, LOWER PAREL (WEST) MUMBAI-400 013.

3-5-99

328/Bom/99. Ajanta Pharma Limited. Controlled Release Formulation of Nimesulide.

329/Bom/99. Luk Lamellen Und Kupplungsbau GmbH. Germany Priority dt. 7-5-98. Torsion Vibration Damper.

330/Bom/99. Mr. Purvez P. Damkevala, Mr. Avinash Mithabhai Solanki. For a device to produce an Allotropic Modifications of Oxygen from the atmosphere etc. .

331/Bom/99. Hindustan Level Limited. Multivalent and Multispecific Antigen-Binding Protein.

4-5-99

332/Bom/99. Gharda Chemicals Limited. An improved process for the Manufacture of 0,0-diethyl-0-quinolalxynyl)-(2)-thiophosphate.

333/Bom/99. Gharda Chemicals Limited. A Novel Process for the manufacture of polyether, ether Cetone polymer.

334/Bom/99. Koprán Limited. An improved process for the manufacture of pivaloyl Chloride form pivalic acid recovered from antibiotic reaction mass,

335/Bom/99. RPG Life Sciences Limited. A process for the preparation of 2, 3-dichlorobenzoic acid.

5-5-99

- 336/Bom/99. Tushar Shrikant Gokhale. Direct Energy Conversion Using Electromagnetic Waves for Hydrocarbon Fuels.
- 337/Bom/99. Hindustan Lever Limited U.S.A. Priority dt. 7-5-98. Liquid Compositions comprising High levels of Alkyl Aryl Sulfonates.
- 338/Bom/99. Nikul Vinodbnai Patel. New Kind of Shaving Razor.
- 339/Bom/99. Hindustan Level Limited. A Process to improve the quality of Tea.
- 340/Bom/99. Hindustan Lever Limited. Storage Container.

7-5-99

- 341/Bom/99. Hindustan Lever Limited. Improved Adhesive Composition.
- 342/Bom/99. Mr. Dhawal S/o Vidyanand Ogale, Mr. Vidyananda S/o Balkrishna Ogale. Automated Signal for Requesting side for overtaking.
- 343/Bom/99. Dr. Lily Fayazi. A Process for preparation of Medicine.
- 344/Bom/99. Vidyadhar Madhav Tilak. Concept, Configuration, and Construction, of Model Based Optimization, Automation and control system for Energy Generation utility Based on Diesel Generating Sets.
- 345/Bom/99. Garware-Wall Ropes Limited. Rope Articles used in Boulder Rock Fall Protection.

10-5-99

- 346/Bom/99. Jaidip Nautamlal Shah. Rotary Power Transmission Unit.
- 347/Bom/99. Dhananjay Prabhakar Khengar. Cricket Bowling Machine.
- 348/Bom/99. Mr. Shyam Singh. Y2K (Sankranti).
- 349/Bom/99. Marico Industries Limited. Closure for use with a container such as a plastic Container or Bottle.
- 350/Bom/99. Birla Research Institute. A process for Manufacturing Cellulosic Fibres.
- 351/Bom/99. Virendra Narandas Thakur. Artificial Wood.
- 352/Bom/99. The Director, Automotive Research Association of India. Liquified Petroleum Gas Metering Regulator for Stationary Application Engines to operate on LPG.
- 353/Bom/99. The Director, The Automotive Liquified Petroleum Gas (LPG) Fuel Metering system Developed for Stationary Application Engines for Bi-fuel Mode of operation (LPG/Kerosene).
- 354/Bom/99. The Director, The Automotive. A Liquified Petroleum Gas (LPG) Gas-Air Mixer for Stationary Application Engines Fueled with LPG.

11-5-99

- 355/Bom/99. Hindustan Lever Limited. Improved Device for Product Delivery.
- 356/Bom/99. Hindustan Level Limited. Improved Detergent Composition.
- 357/Bom/99. Rameshbhai Amritlal Patel (HUF). Phase Circuit Blinker Fuse Indicator.
- 358/Bom/99. Vikram Seeds Private Limited. Hybrid Cotton Vich 9 Seeds.

12-5-99

- 359/Bom/99. Institute for Plasma Research. A Device for the Fragmentation of Rocks and Process thereof.

13-05-99

- 360/Bom/99. Mr. Sudhir M. Mody. A Chemical substance called Q-NA from S.T.A. for Coating of Computer chips and graphic art printing.

14-5-99

- 361/Bom/99. Shashikant Ramchandra Alawami. Cooling Air Bus A310. Air Craft Brakes using equipment Cooling Exhaust Air from the Aircraft.
- 362/Bom/99. Hindustan Lever Limited U. K. Priority dt. 15-5-98. Oral Composition.
- 363/Bom/99. Hindustan Lever Limited U.K. Priority dt. 15-5-98. Use of an Agent for the prevention of Gum Disease.
- 364/Bom/99. Hindustan Lever Limited U. K. Priority dt. 18-5-98. Stable Ammonium Composition.
- 365/Bom/99. Hindustan Lever Limited U. K. Priority dt. 18-5-98. Stable Ammonium Composition.

17-5-99

- 366/Bom/99. Syphony Comfort System Ltd. Flexible Shaft Driven Pump.
- 367/Bom/199. Symphony Comfort System Ltd. Auto Swing without Motor.
- 368/Bom/99. Symphony Comfort System Ltd. Magnet Pump.
- 369/Bom/99. Mohan Tambe. The invention describes an audience interaction system for enriching the interaction of a presenter with his audience by allowing him to acquire evaluate their spontaneous/elicited feedback in terms of their preferred choices or voiced responses.
- 370/Bom/99. Mohan Tambe. A Cable Head-end based interactive Media Education System.
- 371/Bom/99. Prof. D. M. Chamulwar. An Electrical Power Generator.

18-5-99

- 372/Bom/99. Mr. Anand Vasant Bam & Mr. Sures Vasudeo Bade. Special Switch.
- 373/Bom/99. Sonic Biochem Extractions Private Limited. A Process of Extracting phytosterol-II<sup>2</sup> from Deodoriser Distillates.
- 374/Bom/99. Kumar Balram Bhatia. An improved Surface Rebound Hardness Tester for Metals.

19-5-99

- 375/Bom/99. Chandrakant Shankarlal Shah. Feed Water Heat Energy Saver.
- 376/Bom/99. Cipla Limited. Appliance for mixing and Stirring.
- 377/Bom/99. Sanjay Manohar Kulkarni & Manohar Pundalik Kulkarni in Electronic multifunction Unit for supervisory Metering, Date logging and acquisition, and with in built Remote Control and Communication facility.
- 378/Bom/99. Yesha Electricals Private Limited. An improved Tie Device.

20-5-99

- 379/Bom/99. VIP Industries Limited. A side lock assembly for a luggage case.
- 380/Bom/99. Anand Keshav Soman. A system and method for Electronic vendor auction.
- 381/Bom/99. Mr. P. Satheesan Menon. Design of a variomatic positive Drive Gear Box cum differential with in-built Clutch for Automotive Applications.
- 382/Bom/99. Cipla Limited. Topical Medicine Spray.

21-5-99

- 383/Bom/99. Hindustan Lever Limited U. K. Priority dt. 18-6-98. A process to prepare a packaged Food product.

- 384/Bom/99. Hindustan Lever Limited U. K. priority dt. 29-5-98. Hybrid Soap Stamping Bars. 31-5-1999
- 385/Bom/99. Hindustan Lever Limited U. K. Priority dt. 1-6-98. Hair Treatment Compositions.
- 386/Bom/99. Hindustan Lever Limited U. S. A. Priority dt. 4-6-98. Sun Screen Cosmetic Composition.
- 387/Bom/99. Hindustan Lever Ltd. U. K. Priority dt. 5-6-98. Personal washing compositions.
- 388/Bom/99. Dharmendra Pal Singh. Break drum and tyre cooler.
- 389/Bom/99. Dharmendra Pal Singh. Tyre safety valve.
- 390/Bom/99. Hi-Tech Plast Containers (India) Ltd. A temper-curt-leak proof container. 24-5-1999
- 391/Bom/99. Dr. Abhay Shendye. A process for making seed coating type formulation of bacillus thuringiensis.
- 392/Bom/99. Cancer Research Institute. Recombinant nucleotide sequences comprising 1-2381 base pairs (bp) for early detection of oral cancer, a process for the isolation of the same from a recombinant gene cloned from oral cancer tissue and a kit comprising the same for early detection of oral cancer. 25-5-1999
- 393/Bom/99. Dr. Inder Jain. An improved catheter mount.
- 394/Bom/99. Toyo Gosei Kogyo Co. Ltd., Japan, Priority dt. 15-6-98. Method for producing 1, 2-Naphtho-Quinone-2-Diazide derivative.
- 395/Bom/99. Gur Kanwarpal Singh and Vijay Keshav Deshpande. Sine wave bulk inverter for mobile applications.
- 396/Bom/99. Shrikant Ramchandra Deshmukh. Improved process for the manufacture of furfurylamine.
- 397/Bom/99. Shrikant Ramchandra Deshmukh. A process for the manufacture of 2, 4-dichloroacetophenone.
- 398/Bom/99. Shrikant Ramchandra Deshmukh. Process for synthesis of 2, 4-dichloro-5-Sulphonamido benzoic acid. 26-5-1999
- 399/Bom/99. Hindustan Lever Ltd. U. K. Priority dt. 29-5-98. Process and product for the treatment of textiles fabrics.
- 400/Bom/99. Vinod Chintamani Malshe. A novel design for construction of overbridges on highways for reducing cost.
- 401/Bom/99. Vinod Chintamani Malshe. Composition for patching up pot holes on the roads.
- 402/Bom/99. Mr. P. Satheesan Menon. For a variomatic, positive drive; anti roll-back, manual shift gear box suitable for automotive and other similar applications. 28 5-1999
- 403/Bom/99. Bajaj Auto Ltd. Improved crankcase and crankcase cover for two wheeled vehicles.
- 404/Bom/99. Sanjay Ramaehandra Shrikhande. Totally new concept in the design and manufacturing of the lead-acid storage batteries.
- 405/Bom/99. Vishwas Shyam Chakradeo. A new method of extinguishing fire by high velocity, high impact fine water-mist produced by collision of pressurised air and water particles.
- 406/Bom/99. Dr. Dinesh Shantilal Patel. A novel formulation of (±)-5-Ethylidihydro-5-(1-methylbutyl)-2-sulfonamide.
- 407/Bom/99. Dr. Dinesh Shantilal Patel. A novel formulation of (+)-5-Ethylidihydro-5-(1-methylbutyl)-2-thioxo 4, 6 (1H, 5H)-Pyrimidinedione. 1-6-1999
- 408/Bom/99. Vikram Pal. An electronic anticomputer vision syndrome device.
- 409/Bom/99. M/s. J. B. Chemicals & Pharmaceuticals Ltd. A process for the preparation of 3-ethyl-5-methyl-2-[(1-(N-phthalimido) ethoxy) methyl]-4-(2-chlorophenyl)-1, 4-dihydro-6-methyl 3, 5-pyridine-dicarboxylate. 2-6-1999
- 410/Bom/99. Kasturba Health Society. A process for isolation and purification of M. tuberculosis excretory-secretory (M. tb ES 31 protein for use in antibody based or antigen based assay for detecting the presence and monitoring of M. tuberculosis infection. 3-6-1999
- 411/Bom/99. Yashwant Gopal Ghaisas. An attachment for cleaning powder spray booth in powder coating plants.
- 412/Bom/99. Nihon Parkerizing Co. Ltd., Japan Priority dt. 9-6-98. Lubricant for cold working of metallic material. 4-6-1999
- 413/Bom/99. Rajan Bhogate. Step Chess—a modified game of Chess that can be used as board 8a game as well as computer game.
- 414/Bom/99. Hindustan Lever Limited U. K. Priority dt. 15-6-98. Manufacture of edible frozen products.
- 415/Bom/99. Hindustan Lever Limited, U. K. Priority dt. 8-6-98. Process for manufacturing a soap containing detergent composition.
- 416/Bom/99. Hindustan Lever Limited, U.S.A. Priority dt. 5-6-98. Hair care compositions.
- 417/Bom/99. Hindustan Lever Limited, U.S.A. Priority dt. 5-6-98. Hair care compositions and method for depositing swollen polymer particles on to hair.
- 418/Bom/99. Mr. Dinesh Kewalchand Mehta and Mrs. Indu Dinesh Mehta. A door holding device.
- 419/Bom/99. Dr. Kanilal Pannalal Daga. Interlocking Intramedullary Nail for union of fracture of Tibia.
- 420/Bom/99. Kasturba Health Society. A purified excretory-secretory M. tb ES-31 Protein for detecting the presence and monitoring of M. tuberculosis infections.
- 421/Bom/99. Outokumpu Oyj. Finland priority dt. 5-6-98. Feed Apparatus for batch Preparation fee Mixture for Feeding into Smelting Furnace.
- 422/Bom/99. Outokumpu Oyj. Finland priority dt. 5-6-98. Method for making Drying more effective.
- 423/Bom/99. Outokumpu Oyj. Finland priority dt. 5-6-98. Method for making drying more effective.

- 424/Bom/99. Mr. Ebrahim Mohamed Khan. For a ladder section. 15-6-99
- 425/Bom/99. Mr. Ebrahim Mohamed Khan. For a ladder section.
- 426/Bom/99. Mr. Ebrahim Mohamed Khan. For a ladder section. 16-6-99
- 427/Bom/99. Mr. Ebrahim Mohamed Khan. For a ladder section. 7-6-99
- 428/Bom/99. Kopran Limited. A process for the manufacture of Ceftriaxone Sodium.
- 429/Bom/99. Hindustan Lever Limited. Improved Washing Device.
- 430/Bom/99. Hindustan Lever Limited. Improved Washing Process.
- 431/Bom/99. Bajaj Auto Limited. Improved Oil Gear Pump for Lubrication of parts of internal Composition Engine.
- 432/Bom/99. Dr. Vibhute Chandrashekhar Panchakshari. A process to Manufacture Completely Water soluble solid and liquid Fertilizer. 8-6-99
- 433/Bom/99. Hindustan Lever Limited. Hard Surface Cleaners.
- 434/Bom/99. Triton Kinematics Private Limited. An Apparatus for Converting Contaminated Water into pure Water.
- 435/Bom/99. Mrs. Radhika Chatterjee. Exhaust gas filter. 9-6-99
- 436/Bom/99. Dr. Milind Gajanan Watve. A user friendly quality control kit for testing azotobacter bio-fertilizer.
- 437/Bom/99. M/s. Ion Exchange (India) Ltd. A water purifier bellow Pump.
- 438/Bom/99. Prem Swarup Kalani. A Seepage proof sheet Material for formation of Flexible conduits and the like. 10-6-99
- 439/Bom/99. Mr. Ram Ratan Sohanlal Saraf, Mr. Niraj Ram Ratan Saraf. An improved Holder for flurescent Tube.
- 440/Bom/99. Tata Research Development & Design Centre. A rice husk ash based domestic water filter. 11-6-99
- 441/Bom/99. Jyoti Limited. A polyphase Induction Motor.
- 442/Bom/99. Vikram Ispat (A unit of Grasim Industries Limited). A process of direct Gaseous Reducing of Metal Ores.
- 443/Bom/99. Outokumpu Oyj. A method for producing a filter cake. Finland priority dt. 25-6-96. 14-6-99
- 444/Bom/99. Killick Nixon Limited. A Device for Recovery of water from Atmospheric Air.
- 445/Bom/99. Ajanta Pharma Limited. Process for Extracting Lutein and Micro Nutrients from Herbal Sources.
- 446/Bom/99. Manohar Rajeswar Aswale. Cooling Plate LOHI Patron.
- 447/Bom/99. Hindustan Lever Limited. Bleach Catalysts and formulations Containing them. U.K. priority dt. 15-6-98.
- 448/Bom/99. Endress + Hauser Flowtec AG Vortex Flow Sensor. Switzerland priority dt. 25-6-98.
- 449/Bom/99. Indo Rama Cement Limited. An improved ground Granulated Blast Furnace Slag (GGBS) and the process of preparing the same.
- 450/Bom/99. Indo Rama Cement Limited. Slag Wash and the process of preparing the same.
- 451/Bom/99. Hughen Gerrard Thomas. A method of Centering an Electrode in the Nozzle of a Plasma Arc Torch Head.
- 452/Bom/99. Hughen Gerrard Thomas. A Head for a Plasma Arc Cutting Torch. 18-6-99
- 453/Bom/99. Premark RWP Holdings. Polymeric foam Compositions, and method of making substrates made from such Compositions and method of making products made from such substrates and method of making. U.S.A. priority dt. 26-9-98.
- 454/Bom/99. Futurica Petrochemicals (Pvt.) Limited. An improved process for preparation of Adipic Acid.
- 455/Bom/99. Olef Erich Bethke. Thermik (wind)-Air-Turbine power system. 21-6-99
- 456/Bom/99. Rallis India Limited. A process for the purification of 1, 4-bis (4-phenoxy benzoyl) benzene.
- 457/Bom/99. Anand Keshav Soman. A novel payment method system for internet commerce.
- 458/Bom/99. UGgine SA. Corrosion Resistant Low-Nickel Austenitic Stainless Steel. France priority dt. 2-7-98. 22-6-99
- 459/Bom/99. Garware Wall Ropes Limited. Rope Articles used in and as Gabions and/or Groynes for preservation of River Bank Shores, Sea Coastal protection and the like.
- 460/Bom/99. Ramakant Narayan Malu. A New type Contour Defined easy flow. (CDEF), Rustless, Multipurpose. Plastic Ghamelas. 23-6-99
- 461/Bom/99. Hindustan Lever Limited. Antimicrobial Hair Treatment Composition. U.K. priority dt. 24-6-98.
- 462/Bom/99. Abhay Deo Singh Chauhan. A Fine Biomass Gasifier system with zone control to produce clean Gas from Fine Biomass Materials such as Rice Husk etc. 24-6-99
- 463/Bom/99. Haruna Co. Limited. Injection Molding Apparatus, Injection Molding system pellet Feeding Unit, Method for Injection Molding, and injection Molding product. Japan Priority dt. 4-12-98. 25-6-99
- 464/Bom/99. Hindustan Lever Limited. Cosmetic Skin care Compositions Containing D-Pipecolic Acid. U.S.A. priority dt. 26-6-98.



25-6-99

- 465/Bom/99. Dr. (Mrs.) Sunita Bhaskaran and Shri Sunil Bhaskaran. An improved process manufacture of a novel Formulation of herbal extracts for controlling rheumatic effects.
- 466/Bom/99. Dr. (Mrs.) Sunita Bhaskaran and Shri Sunil Bhaskaran. An improved process for manufacture of a novel formulation of plant extract having Blood Sugar Control in Diabetes.

28-6-99

- 467/Bom/99. Patel Dinesh Shantilal. (A novel antiseptic and antimicrobial pharmaceutical preparation of feracrylum.
- 468/Bom/99. Department of Atomic Energy. An Electronic device for Recording Blood Flow Signal Variability.

29-6-99

- 469/Bom/99. Dr. Premchand Jain. "Anifeed A Herbal Feed Additive for Milch Animals."
- 470/Bom/99. M/s. Stoplik Services. Lubetrap.
- 471/Bom/99. Nihon Purkerizing Co. Limited. Method and Apparatus for promptly forming phosphate Film on the Steel Wires. (Japan priority dt. 1-7-98.
- 472/Bom/99. Mr. Vijay M. Dhanwatay. Square Steel Chock for horizontal and inclined Roofs of Mines or Tunnels of uniform or varying Roof Heights.
- 473/Bom/99. United Phosphorus Limited. Synergistic Insecticidal Composition of Cypermethrin and Dimenthoate for Combetting the Pest Population".
- 474/Bom/99. United Phosphorus Limited. Synergistic Insecticidal Composition of Cypermethrin and Endosulfan for Combetting the pest Population.

30-6-99

- 475/Bom/99. Endress + Houser Flowtec AG Method of Regulating the Coil Current of Electromagnetic Flow Sensore. Switzerland priority dt. 3-7-98.
- 476/Bom/99. Patel Dinesh Shantilal. A process for Manufacture of a Novel Formulation of N-Nitro 2-phenoxyphenyl) methanesulfonamide.
- 477/Bom/99. Patel Dinesh Shantilal. A process for Manufacture of a Novel Formulation of (±)-5-Ethyl-dihydro-5-(1-methylbutyl)-2-thioxo 4, 6(1H, 5H)-Pyrimidinedione.

## ALTERATION OF DATES UNDER SECTION 16

183140 317/Cal/97)—Antedated to 29th June, 1990.

## COMPLETE SPECIFICATION ACCEPTED

Notice is hereby given that any person interested in opposing the grant of a patent on any of the applications concerned, may, at any time within four months from the date of this issue or within such further period not exceeding one month if applied for on Form 4 prescribed under the Patent (Amendment) Rules, 1999 before the expiry of the said period of four months, give notice to the Controller of Patents at the appropriate office on the prescribed Form 7 of such opposition. The written statement of opposition should be filed in duplicate alongwith evidence, if any, with said notice or within sixty days of its date as prescribed in Rule 36 as amended by the Patents (Amendment) Rules, 1999.

The Classification given below in respect of each specification are according to Indian Classification and International Classification Systems.

2—247 GI/99

Printed copies of the specification and drawings, if any, can be supplied by the Patent Office or its branch offices on payment of prescribed charges of Rs. 30/- each.

In the event of non-availability of printed specification, photocopies of the specification and drawings, if any, can be supplied by the Patent Office and its branch offices on payment of prescribed photocopy charges @ Rs. 10/- per page of such document plus Rs. 30/-.

## स्वीकृत सम्पूर्ण विनिर्देश

एतद्वारा यह सूचना दी जाती है कि संबंधित आवेदन में से किसी पर पेटेंट अम्ब्रान के विरोध करने को इच्छुक व्यक्ति, इसके निर्गम की तिथि से चार (4) महीने या अग्रिम ऐसी अवधि जो उक्त चार (4) महीने की अवधि को समाप्त के पूर्व, पेटेंट (संशोधन) नियम, 1999 के तहत विहित प्रथम 4 पर अगर आवेदन हो, एक महीने की अवधि से अधिक न हो, के भीतर कभी भी निर्णयक एकत्र को उपयुक्त कार्यालय में ऐसे विरोध की सूचना विहित प्रथम 7 पर दे सकते हैं। विरोध संबंधी लिखित वक्तव्य की प्रतियाँ में साक्ष्य के साथ, यदि कोई हो, उक्त सूचना के साथ या पेटेंट (संशोधन) नियम, 1999 द्वारा संशोधित नियम 36 के तहत यथाविहित उक्त सूचना के तिथि से 60 दिन के भीतर फाइल कर दिये जाने चाहिए।

प्रत्येक विनिर्देश के संदर्भ में नीचे दिये वर्गीकरण, भारतीय वर्गीकरण तथा अन्तर्राष्ट्रीय वर्गीकरण के अनुसूची हैं।

विनिर्देश तथा चित्र आरेख, यदि कोई हो, को अधिकतम प्रतियों की आपूर्ति पेटेंट कार्यालय या उसके शाखा कार्यालयों से यथाविहित 30/- रुपये प्रति की अदायगी पर की जा सकती है।

ऐसी परिस्थिति में जब विनिर्देश की अधिकतम प्रति उपलब्ध नहीं हो, विनिर्देश तथा चित्र आरेख, यदि कोई हो, की प्रत्येक प्रतियों की आपूर्ति पेटेंट कार्यालय या उसके शाखा कार्यालयों से यथाविहित फोटोप्रति शुल्क उक्त दस्तावेज के 10 रुपये प्रति पृष्ठ धन 30/- रुपये की अदायगी पर की जा सकती है।

Cl. 55 B

183131

Int. Cl.<sup>8</sup> : A 61 L 9/00

A DEODORIZING DEVICE FOR A REFRIGERATOR.

Applicant : GOLDSTAR CO. LTD., OF 20, YOIDO-DONG, YONGDUNGPO-KU, SEOUL KOREA.

Inventors :

HO CHEOL KIM  
SANG BAE KIM.

Application No. : 946/Cal/1994 filed on 11th November, 1994.

Appropriate Office for Opposition Proceedings (Rule 4, Patent Rule 1972), Patent Office, Calcutta.

4 Claims

A deodorizing device for a refrigerator, said device being detachably mountable in a cooling air return port in a cooling air return passage between the cooling chamber and evaporator of the refrigerator, said device comprising :



CI : 126 D

183133

Int. Cl. : G 01 R 31/32

**DEVICE FOR FUNCTIONAL RELIABILITY MONITORING OF POWER CIRCUIT-BREAKERS (DIAGNOSTIC APPARATUS).**

Applicant : SIEMENS AKTIENGESELLSCHAFT, OF WITTELSBACHERPLATZ 2, 80333 MUENCHEN, GERMANY.

Inventors :

NILS ANGER,

JOHANNES HILPERT.

WERNER REINERT.

Application No. : 65/Cal/95 filed on 24th January, 1995.

Appropriate Office for Opposition Proceedings (Rule 4, Patent Rule 1972), Patent Office, Calcutta.

**5 Claims**

A device for monitoring at least one power circuit-breaker having a movable part, preferably of vacuum power circuit-breaker in medium-voltage switching installations, comprising :

at least one data-processing microprocessor unit (ME) comprising a microprocessor (MP), a microprocessor control device (MC) and a memory device (SP);

at least one current detection device (SE) for detecting a first current (SS) of the power circuit-breaker and for detecting and controlling a second current (MS) driving the movable part of the at least one power circuit-breaker;

a current detection device (SE) comprising a current transformer (SW), a current-voltage converter (I/U) and a parasitic voltage filter (SF) coupled downstream from the current transformer, an angle pulse and rotation direction detection device (WD) connected to the at least one data-processing micro-processor unit (ME), the angle pulse and rotation direction detection device (WD) converting a movement of the movable part of the power circuit-breaker into data for processing by the microprocessor device;

a first filter unit (FE);

an analog-to-digital converter (AD),

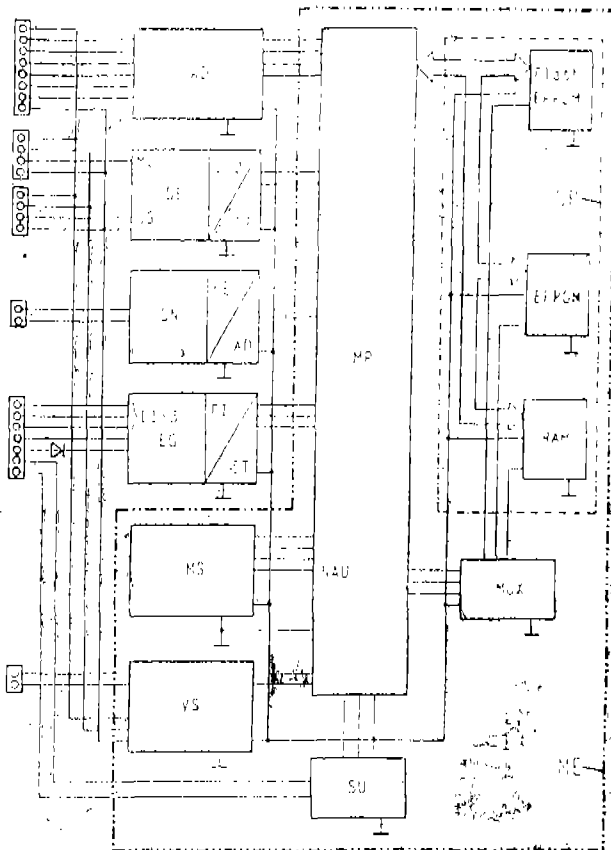
a sensor device (SN) for detecting an ambient temperature in the power circuit-breaker, the sensor device (SN) having an output signal which is provided via the first filter unit (FE) and the analog-to-digital converter (AD) to the microprocessor unit (ME);

a digital input device (EG) for detecting if the power circuit-breaker changes from a first state to a second state using one or more input signals (L<sub>1</sub>-L<sub>3</sub>), the digital input device (EG) being connected to the microprocessor unit (ME);

a second filter device (FI);

a pulse-forming device (ST), wherein the one or more input signals (L<sub>1</sub>-L<sub>3</sub>) applied to the digital input device (EG) are provided to the microprocessor unit (ME) via atleast one of the second filter device (FI) and the pulse forming device (ST) the pulse-shaping device being capable of modifying the one or more input signals as a function of a predetermined pulse-shaping characteristics; and

an interface conversion unit (SU) connected to the micro-processor unit (ME) and receiving input control signals.



Compl. Specn. : 12 pages.

Drgns. : 01 sheet.

CI : 64 B 1

183134

Int. Cl. : H 01 R 13/74.

**A TERMINAL ASSEMBLY FOR HERMETIC COMPRESSOR.**

Applicant : COPELAND CORPORATION, OF CAMPBELL ROAD, SIDNEY, OHIO 45365-0669, UNITED STATES OF AMERICA.

Inventor : ERNEST ROGER BERGMAN.

Application No. 303/Cal/1995 filed on 20th March, 1995.

Appropriate Office for Opposition Proceedings (Rule 4, Patent Rule 1972), Patent Office, Calcutta.

**19 Claims**

A terminal assembly for a hermetic compressor (10), said terminal assembly comprising :

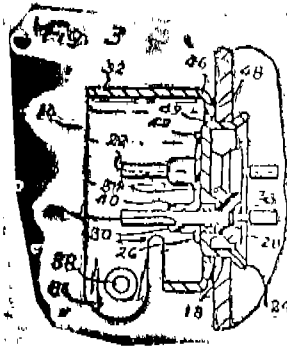
a terminal body (24) adapted to be secured to a shell (12) of said compressor;

at least one conductor pin (22) extending through said terminal body and said conductor pin;

a fence (32, 32', 92, 124, 134, 20, 224, 244, 265, 304 324) disposed around said terminal body; said fence being secured to said shell; and

an electrical plug (54 202, 222, 242, 262, 302, 322) disposed within said fence and having at least one electrical receptacle,

said electrical receptacle (7) being in electrical communication with said conductor pin.



(Comp. Specn. 18 pages Drawing, 03 sheet(s)  
Cl. : 157 D 6 C 183135  
Int. Cl. : E 01 B 9.36.

AN APPARATUS FOR SECURING RAILS IN PARTICULAR, STOCK/STOCK GUIDE RAILS IN POINTS AND CROSSINGS.

Applicant : HINDUSTAN DEVELOPMENT CORPORATION LIMITED, OF 27, SIR, R. N. MUKHERJEE ROAD, CALCUTTA-700 001, WEST BENGAL, INDIA.

Inventor : ANURANJAN PRASAD.

Application No. : 360/Cal/95 filed on 31st March, 1995.

Appropriate Office for Opposition Proceedings (Rule 4, Patent Rules, 1972), Patent Office, Calcutta.

7 Claims

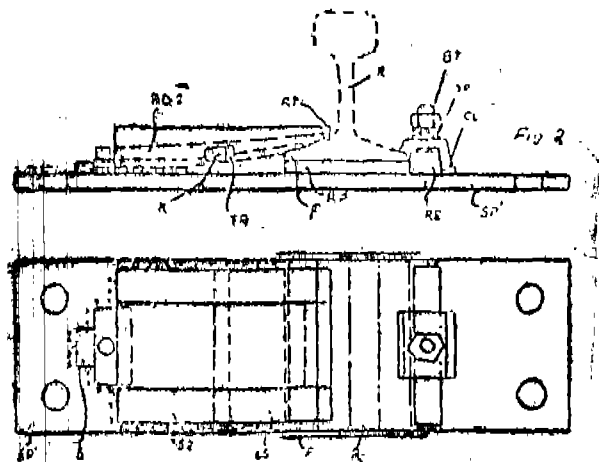
An apparatus for securing rails, in particular stock/stock guide rails, in points and crossing comprising :

a sole plate (SP) supporting said stock/stock guide rail (R);

fastening means provided on the outer and inner sides of said stock/stock guide rails to hold said stock/stock guide rails in position;

slide chair arrangement (SC) provided on the inner side of said stock/stock guide rail; characterized in that;

said fastening means is an elastic fastening means comprising a recess (RS) of a ribbed member (RB2) provided in said slide chair arrangement accommodating of leaf spring (LS) therethrough, said leaf spring secured at one end with respect to said sole plate while its other end is provided to rest on the adjacent foot of said stock/stock guide rail, a transverse recess (TR) provided in said slide chair arrangement accommodating a key (K) driven therethrough and providing for resilient biasing of said leaf spring (LS) on said foot of said stock/stock guide rail to thereby provide for an elastic fastening of said stock/stock guide rail (R) with respect to said sole plate (SP).



(Compl. Specn. : 12 pages. Drgns. : 1 sheet)

Cl. : 32 F, C --

183136

Int. Cl. : C 07 C 102/04, C 07 C 103/133.

PROCESS FOR THE PREPARATION OF N-ACYL-α-AMINO ACID DERIVATIVES.

Applicant : HOECHST AKTIENGESELLSCHAFT, OF D-65929 FRANKFURT AM MAIN, FEDERAL REPUBLIC OF GERMANY.

Inventors :

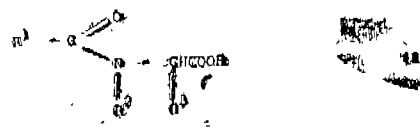
- (1) DR. MATTHIAS BELLER,
- (2) DR. HARTMUT FISCHER,
- (3) DR. THOMAS GERDAU,
- (4) PETER GROB.

Application No. 452/Cal/1995 filed on 21st April, 1995.

Appropriate Office for Opposition Proceeding (Rule 4, Patents Rules 1972), Patent Office, Calcutta.

17 Claims

1. A process for the preparation of N-acyl-α-amino acid derivatives, in particular, an acylglycine derivative of the formula (I):

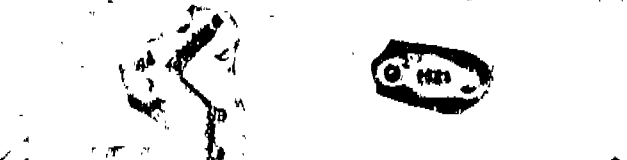


in which

R<sup>1</sup> is hydrogen, a substituted straight-chain, branched or cyclic (C<sub>1</sub>-C<sub>20</sub>) alkyl radical, a mono- or polycyclic saturated, saturated chain, branched or cyclic (C<sub>1</sub>-C<sub>20</sub>) alkyl radical, a (C<sub>1</sub>-C<sub>20</sub>) aryl radical, a (C<sub>1</sub>-C<sub>20</sub>) hetero- or (C<sub>1</sub>-C<sub>20</sub>) hetero-alkyl radical or an optionally polycyclic saturated (C<sub>1</sub>-C<sub>20</sub>) hetero-alkyl radical.

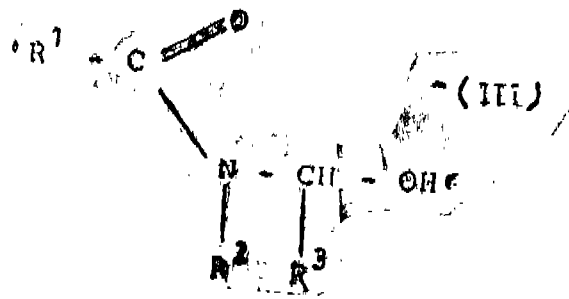
R<sup>2</sup> is hydrogen, a saturated, straight-chain, branched or cyclic (C<sub>1</sub>-C<sub>20</sub>) alkyl radical, a mono- or polycyclic saturated, saturated chain, branched or cyclic (C<sub>1</sub>-C<sub>20</sub>) alkyl radical, a (C<sub>1</sub>-C<sub>20</sub>) aryl radical, a (C<sub>1</sub>-C<sub>20</sub>) hetero- or (C<sub>1</sub>-C<sub>20</sub>) hetero-alkyl radical or an optionally polycyclic saturated (C<sub>1</sub>-C<sub>20</sub>) hetero-alkyl radical, and

R<sup>3</sup> is hydrogen, a substituted, straight-chain, branched or cyclic (C<sub>1</sub>-C<sub>20</sub>) alkyl radical, a mono- or polycyclic saturated, saturated chain, branched or cyclic (C<sub>1</sub>-C<sub>20</sub>) alkyl radical, a (C<sub>1</sub>-C<sub>20</sub>) aryl radical, a (C<sub>1</sub>-C<sub>20</sub>) hetero- or (C<sub>1</sub>-C<sub>20</sub>) hetero-alkyl radical or an optionally polycyclic saturated (C<sub>1</sub>-C<sub>20</sub>) hetero-alkyl radical, which comprises replacing a carboxylic acid amide of the formula (II):



in which R<sup>2</sup> and R<sup>3</sup> have the abovementioned meanings, with an aldehyde of the formula R<sup>1</sup>CHO wherein the aldehyde is employed in an amount of 70 to 200 mols based on the carboxylic acid

amide, in the presence of a solvent and an acid at a temperature in the range of 65 to 120°C and normal pressure to give an acylaminomethylol of the formula (III).



and then reacting this with CO at a temperature of 20 to 150°C and a CO pressure of 1 to 150 bar in the presence of a cobalt carbonyl catalyst.  
Compl. Specn. 20 Pages

Applicant : VANGALA PATTABHI, OF 9 R. N. MUKHERJEE ROAD, CALCUTTA-700 001, WEST BENGAL, INDIA.

Inventor : RUDRA RAMA RAJU.

Application No. 603/Cal/1995 filed on 29th May, 1995.

Appropriate Office for Opposition Proceedings (Rule 4, Patent Rules, 1972) Patent Office, Calcutta.

Cl. : 128 A, G 183137  
Int. Cl.<sup>4</sup> : A 61 B 19/08.

13 Claims

**SURGICAL DRAPE WITH A SEALABLE POUCH.**

A process or manufacture of rigid, lightweight, high temperature resistant insulation material comprising :

Applicant : JOHNSON & JOHNSON MEDICAL, INC., OF 2500 ARBROOK BLVD., ARLINGTON TX 76004-3030, UNITED STATES OF AMERICA.

preparing a slurry of fine silicious material such as herein described having a Blaine surface area of atleast 2000 cm<sup>2</sup>/g and above with lime, cement and gypsum in the presence of water :

Inventor : DAVID E. BUTTERWORTH.

mixing the slurry thus obtained with reinforcing materials such as herein described in amounts of upto 30% based on the weight of dry solids used;

Application No. 504/Cal/1995 filed on 3rd May, 1995.

(Patent of Application No. 285/Cal/94 on 20th April, 1994).

transferring the mix of said slurry and reinforcing materials into moulds of desired shape and size;

Appropriate Office for Opposition Proceedings (Rule 4, Patent Rules 1972) Patent Office, Calcutta.

subjecting the thus transferred mix in the moulds to a step of aeration by using suitable aeration agent such as detergents whereit is further allowed to harden to attain desired handling strength;

9 Claims

A disposable surgical drape, comprising;

curing the thus hardened material for example, by auto-claving; and

(a) a sheet for placement over a patient and comprising :

drying the same at a temperature above 50° C to remove moisture upto a desired level.

- (i) a bottom surface for contacting the patient,
- (ii) a top surface for facing away from the patient after placement,
- (iii) a fenestration; and

(b) a pouch (on the top surface of the sheet), near the fenestration for collecting fluid runoff during surgery, the pouch comprising;

(Compl. Specn. 10 Pages;

Drgns. Nil.)

- (i) (a top edge and bottom edge joined by two opposing side edges, the side edges and bottom edge being sealed closed), an opening positioned adjacent the fenestration to receive said fluid runoff, and
- (ii) C means for detachably sealing the top edge to permit opening the pouch to receive fluid and then closing the pouch to prevent leakage of the fluid) a closure means for closing the opening in a fluid tight manner wherein fluid in the pouch is securely retained therein.

Cl. : 128 F 183139

Int. Cl. : A 61 N 1/04.

**PERMANENT BODY-IMPLANTABLE PACING LEAD WITHOUT FLUOROSCOPY AND PACING SYSTEM ANALYSER.**

Applicant & Inventor : DR. SAIBAL GUPTA, OF FLAT NO. 43 C SAPTAFARNT 58/1 BALLYGUNGE CIRCULAR ROAD, CALCUTTA-700 019, INDIA.

Application No. 1181/Cal/95 filed on 4th October, 1995.

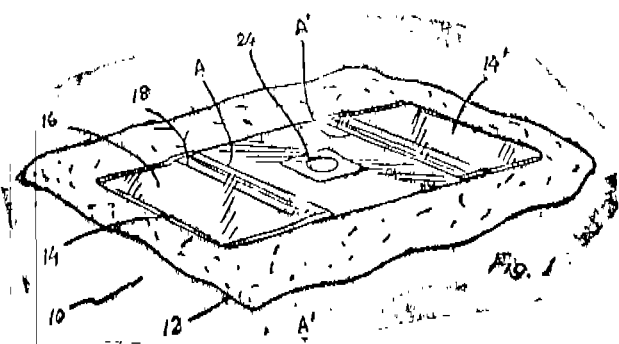
(Complete Specification left after provisional on 7th June, 1996).

Appropriate Office for Opposition Proceedings (Rule 4, Patent Rules, 1972) Patent Office, Calcutta.

5 Claims

A permanent body implantable pacing lead without fluoroscopy and pacing system analyser comprising :

- (i) an electrode thinner than conventional electrodes and including active tissue engaging means adapted to be firmly lodged in and secured to or removable from tissue inside an animal body at a desired location;
- (ii) a conductor connected to said electrode, said conductor consisting of a tightly wound spiral coil having proximal and distal ends, said electrode being connected to distal end, of said conductor;
- (iii) sheath means having proximal and distal ends for loosely receiving and insulating said conductor from body tissue, said conductor being adapted to be axially advanced from its proximal end with the help of a connector pin relative to said sheath means;
- (iv) a distal segment means attached to a distal end of said sheath means.



(Comp. Specn. 14 pages.

Drgns. 03 sheets)

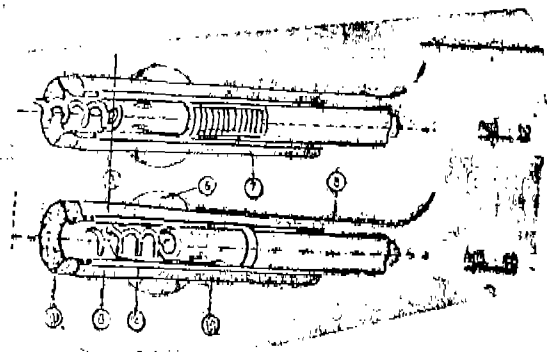
Cl. : 98 F, 25 B. 183138

Int. Cl.<sup>4</sup> : E 04 B 1/78, 1/80.

C 04 B 28/18, 28/04, 35/71.

**A PROCESS FOR MANUFACTURE OF RIGID LIGHTWEIGHT, HIGH TEMPERATURE RESISTANT INSULATION MATERIAL.**

- (v) a steroid eluting gasket associated with said distal segment and adapted for close contact with inner wall of the body tissue after secure and permanent attachment of the helical electrode thereto;
- (vi) and guide means located at the distal segment and having short helical pathway, to convert rotational movement of said electrode into axial movement.



(Compl. Specn. 19 Pages;  
(Prov. of Specn. :

Drgns. 5 Sheets)  
Drgns. : )

Cl : 34 A & 172 B.

483140

Int. Cl. : D 02 G 3/02, 3/00,  
D 01 F 1/10, 6/60

A PROCESS FOR PREPARING PARTIALLY-ORIENTED MULTI FILAMENT YARN AND THE YARN SO PREPARED.

Applicant : E. I. DU PONT DE NEMOURS & COMPANY, OF AT WILMINGTON, DELAWARE, UNITED STATES OF AMERICA.

Inventors :

1. BENJAMIN HUGHES KNOX.
2. FRANCIS JOSEPH MALONE, JR.
3. GARY DOUGLAS MILOSOVICH.
4. FRANK HUDSON OVERTON.
5. RONALD EDWARD STEELE.
6. PAUL GREGORY ZMICK.

Application No. 317/Cal/1997 filed on 20th February, 1997.

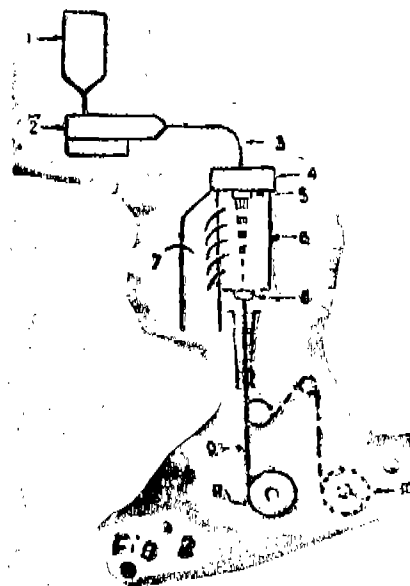
(Divided out of No. 544/Cal/90 on 29th June, 1990).

Appropriate Office for Opposition Proceedings (Rule 4, Patents Rules, 1972) Patent Office, Calcutta.

16 Claims

A process for preparing partially-oriented multi-filament yarn, comprising :

melt-spinning molten nylon 66 polymer containing 2 to 40% by weight of at least one additive such as herein described at a spinning withdrawal speed of at least 4500 meters/minute (mpm).



(Compl. Specn. 82 Pages;

Drgns. 08 Sheets)

CLAIM U/S 20(1)

CLAIM UNDER SECTION 20(1) OF THE PATENTS  
ACT, 1970

In pursuance of leave granted under Section 20 (1) of the Patents Act 1970 application No. 483/Del/90 (179985) of FENRIR AG, a Swiss Corporation, C/o Straub, Moser, Straub Hanibuhl 8, CH-6300 Zug, Switzerland has been allowed to proceed in the name of VOLTA CARMIEL A FACTORY OF PLASTIC MATERIALS LTD., an Israeli Co., of Simtat Hachejmesh 8, Savion, Israel.

The claim made by "MAGNETIC REVOLUTIONS LIMITED" I.L.C. U.S.A. under Section 20 (1) of the Patents Act, 1970 to proceed the application for Patent No. 182093 (430/Mas/93) in their name has been allowed.

OPPOSITION PROCEEDINGS

An opposition has been entered by Mr. Ravi Prakash Mital, New Delhi to the grant of a patent on Application No. 182298 (1056/Cal/94) dated 19th December, 1994 made by M/s. Stork Screens B.V., Netherland.

Name Index of Application for Patents in respect of Patent Office Calcutta and its Branches for the month of July, 1996 to December, 1996.

(Nos. 1204/Cal/96 to 2266/Cal/96, 336/Bom/96 to 627/Bom/96, 1147/Mas/96 to 2386/Mas/96 and 1452/Del/96 to 3013/Del/96).

CALCUTTA.

1204/Cal/96 to 2266/Cal/96.

"A"

A B B Air Prehcaters Inc.—1469/Cal/96.

A G I Consultancy Pty. Ltd.—1776/Cal/96.

A N I America Inc.—2230/Cal/96.

Acqua Minerals Pvt. Ltd.—2006/Cal/96.

Aeroquip Corporation.—1970/Cal/96.  
 Aerotherm Corporation.—1496/Cal/96.  
 Agarwal, M.—1378/Cal/96.  
 Agro Chemical Technology, I.P.—1381/Cal/96.  
 Agro-Kauesho Co. Ltd.—1508/Cal/96.  
 Ahmed, A. (Mr.)—1986/Cal/96.  
 Aktiebolaget Electrolux.—1345/Cal/96.  
 Alcell Technologies Inc.—1430/Cal/96.  
 Allergan.—1505/Cal/96.  
 Alumbaugh, B.E.—1397/Cal/96.  
 Alumbaugh, T.—1397/Cal/96.  
 American Cyanamid Co.—1286/Cal/96.  
 American Home Products Corporation.—2046/Cal/96.  
 Amsted Industries Inc.—2060/Cal/96 & 2061/Cal/96.  
 Andritz-Patentverwaltungs-Gesellschaft mbH.—1905/Cal/96.  
 Aquarius Holdings Ltd.—1236/Cal/96.  
 Arnico Inc.—1600/Cal/96.  
 Arnaiz, A.A.—2259/Cal/96.  
 Arzneimittelwerk Dresden GmbH.—1461/Cal/96 & 1462/Cal/96.  
 Asahi Kasei Kogyo Kabushiki Kaisha.—1833/Cal/96 & 2165/Cal/96.  
 Asahi Leadtek Kabushiki Kaisha.—1447/Cal/96.  
 Ashmont Holdings Ltd.—1668/Cal/96.  
 Asia Automation Industrielle S.A.—1426/Cal/96.  
 Assam Co. Ltd., The.—1354/Cal/96 & 1355/Cal/96.  
 Asta Medica AG.—1832/Cal/96, 1907/Cal/96, 2022/Cal/96 & 2043/Cal/96.  
 Atlantic Richfield Co.—2066/Cal/96.  
 Augello, N.—2086/Cal/96.  
 Ausimont S.P.A.—1825/Cal/96, 2159/Cal/96 & 2160/Cal/96.  
 Auto AG.—2186/Cal/96.  
 Autosplice Systems, Inc.—1491/Cal/96.

## "B"

B A S F Corporation.—1303/Cal/96.  
 B H P Coal Pty. Ltd.—2089/Cal/96 & 2107/Cal/96.  
 B M H Marine AB.—2173/Cal/96.  
 B S & B Safety Systems Inc.—1852/Cal/96.  
 Babcock & Wilcox Co., The.—1425/Cal/96, 1572/Cal/96, 1809/Cal/96 & 2050/Cal/96.  
 Backward Area Development Society.—2127/Cal/96.  
 Backwith, R.W.—1923/Cal/96.  
 Baker Norton Pharmaceuticals, Inc.—1864/Cal/96.  
 Bandopadhyay, N.—1270/Cal/96.  
 Barat, D.B. (Mr.)—1915/Cal/96.  
 Bartholic, D.B.—2051/Cal/96.  
 Barth-TeX Instruments and Software GmbH & Co.—1474/Cal/96.  
 Basak, P. (Dr.)—2201/Cal/96.  
 Beckenbach Warmestelle GmbH.—1745/Cal/96.  
 Becker, D.W.—2052/Cal/96.  
 Bell & Howell Postal Systems, Inc.—1717/Cal/96.  
 Beloit Technologies, Inc.—1654/Cal/96.  
 Berger, J.—1357/Cal/96.  
 Berneir, R.M.—2035/Cal/96.  
 Besco Ltd.—1657/Cal/96.

Betzdearborn Inc.—1966/Cal/96.  
 Bhattacharjee, S.P. (Sree)—1412/Cal/96 & 1726/Cal/96.  
 Bina, Metal Way Ltd.—1298/Cal/96.  
 Bioengineering Resources Inc.—1209/Cal/96.  
 Bioestimulantes Organicos, I D A.—1619/Cal/96.  
 Biopharm Gesellschaft Zur Biotechnologischen Entwicklung Von Pharmakh MBH.—1274/Cal/96 & 1362/Cal/96.  
 Borealis A/S.—1785/Cal/96 & 2190/Cal/96.  
 Borealis Polymers Oy.—1227/Cal/96.  
 Bosch-Siemens Hausgerate GmbH.—2008/Cal/96, 2044/Cal/96 & 2095/Cal/96.  
 Bose, J.L. (Shri)—2124/Cal/96, 2133/Cal/96, 2234/Cal/96 & 2245/Cal/96.  
 Brooke Bond Lipton India Ltd.—1235/Cal/96, 1320/Cal/96, 1321/Cal/96, 1370/Cal/96, 1498/Cal/96, 1637/Cal/96, 1751/Cal/96, 1931/Cal/96, 1985/Cal/96, 2018/Cal/96 & 2229/Cal/96.  
 Buckland, R.W.—2077/Cal/96.  
 Bundesdruckerei GmbH.—1244/Cal/96.  
 Burman, U.S.—1789/Cal/96.  
 Burna Philip Technology Pty. Ltd.—1981/Cal/96.  
 Burns Philip Food Holdings Pty. Ltd.—2034/Cal/96.  
 Burns Philip Food Inc.—2092/Cal/96.  
 Buscner, H.—1255/Cal/96.

## "C"

C I L International Ltd.—1847/Cal/96.  
 C M S Gilbreth Packaging Systems Inc.—1659/Cal/96.  
 Cadac Ltd.—1534/Cal/96.  
 Callaway Corporation.—2137/Cal/96.  
 Carlo Gavazzi AG.—1980/Cal/96.  
 Certco LLC.—2258/Cal/96.  
 Chakraborty, C.—2059/Cal/96.  
 Chakraborty, P. (Dr.)—2263/Cal/96.  
 Chakraborty, P. (Shri)—1633/Cal/96.  
 Chatterjee, A. (Dr.)—1903/Cal/96.  
 Chatterjee, L. M. (Mr.)—1986/Cal/96.  
 Chauhan, R. J.—2006/Cal/96.  
 Chemedley S.A.—2215/Cal/96.  
 Chen, A.—1506/Cal/96.  
 Chen, C.—1615/Cal/96.  
 Cheng, S.—1955/Cal/96.  
 Chen, I.—1664/Cal/96.  
 Chen, R.—1506/Cal/96.  
 Chen, Z.—2149/Cal/96.  
 Chiron Behring GmbH & Co.—1595/Cal/96.  
 Chisaki Co. Ltd.—1683/Cal/96.  
 Choi, T.—1749/Cal/96.  
 Chowdhury, A.—1995/Cal/96.  
 Cignal Global Communications Ltd., Partnership—1630/Cal/96.  
 Cincinnati Milacron Inc.—1838/Cal/96.  
 Citibank, AG—1596/Cal/96.  
 Citibank, N.A.—1398/Cal/96, 1399/Cal/96, 1400/Cal/96, 1401/Cal/96 & 1402/Cal/96.  
 Clark R.J.—1397/Cal/96.  
 Clover Corporation Pty. Ltd.—1507/Cal/96.

- Combustion Engineering Inc.—1976/Cal/96, 2183/Cal/96, 2184/Cal/96, 2185/Cal/96, 2213/Cal/96 & 2222/Cal/96.
- Commonwealth Scientific and Industrial Research Organisation—1750/Cal/96, 1776/Cal/96, 2033/Cal/96, 2089/Cal/96 & 2107/Cal/96.
- Comsat Corporation—2104/Cal/96.
- Connector Systems Technology N.V.—1222/Cal/96.
- Conoco Inc.—1919/Cal/96.
- Continental General Tire Inc.—1576/Cal/96.
- Cook, D.R.—1937/Cal/96.
- Copeland Corporation—1223/Cal/96 & 2191/Cal/96.  
Copes-Vulcan Inc.—1535/Cal/96.
- Coronet-Werke GmbH.—1449/Cal/96, 1484/Cal/96, 1586/Cal/96, 1587/Cal/96 & 1822/Cal/96.
- Cricket—1581/Cal/96.
- Crosrol Ltd—1867/Cal/96.
- Croteau, H.S.—2035/Cal/96.
- Crown Cork & Seal Co. Inc.—1349/Cal/96.
- Cytec Technology Corp.—1330/Cal/96, 1479/Cal/96, 1841/Cal/96, 1842/Cal/96, 1879/Cal/96, 1908/Cal/96, 1909/Cal/96 & 1920/Cal/96.
- Cz, L.L.C.—2026/Cal/96.
- “D”
- D A E Yeong Co. Ltd.—1392/Cal/96.
- D E Nora S.P.A.—1953/Cal/96.
- Daewoo Electronics Co. Ltd.—1225/Cal/96, 1310/Cal/96, 1341/Cal/96, 1343/Cal/96, 1344/Cal/96, 1351/Cal/96, 1352/Cal/96, 1353/Cal/96, 1364/Cal/96, 1389/Cal/96, 1390/Cal/96, 1391/Cal/96, 1420/Cal/96, 1421/Cal/96, 1422/Cal/96, 1490/Cal/96, 1497/Cal/96, 1503/Cal/96, 1504/Cal/96, 1519/Cal/96, 1520/Cal/96, 1529/Cal/96, 1549/Cal/96, 1550/Cal/96, 1551/Cal/96, 1552/Cal/96, 1584/Cal/96, 1701/Cal/96, 1702/Cal/96, 1703/Cal/96, 1709/Cal/96, 1710/Cal/96, 1711/Cal/96, 1712/Cal/96, 1713/Cal/96, 1714/Cal/96, 1715/Cal/96, 1716/Cal/96, 1725/Cal/96, 1729/Cal/96, 1793/Cal/96, 1794/Cal/96, 1839/Cal/96, 1871/Cal/96, 1872/Cal/96, 1941/Cal/96, 1945/Cal/96, 1971/Cal/96, 1992/Cal/96, 2001/Cal/96, 2030/Cal/96, 2049/Cal/96, 2056/Cal/96, 2057/Cal/96, 2058/Cal/96, 2200/Cal/96, 2216/Cal/96, 2217/Cal/96, 2218/Cal/96, 2233/Cal/96, 2243/Cal/96, 2244/Cal/96, 2246/Cal/96 & 2247/Cal/96.
- Daewoo Telecom Ltd.—1363/Cal/96, 1888/Cal/96 & 1889/Cal/96.
- Daidotokushuko Kabushiki Kaisha.—1835/Cal/96.
- Daikin Industries Ltd.—1638/Cal/96 & 1862/Cal/96.
- Dallaire Industries Ltd.—2249/Cal/96.
- Dalmia Institute of Scientific & Industrial Research.—2156/Cal/96, 2157/Cal/96 & 2158/Cal/96.
- Danieli & C. Officini Meccaniche S.P.A.—1499/Cal/96, 1843/Cal/96, 1885/Cal/96, 2125/Cal/96 & 2126/Cal/96.
- Dansk Bilharziøse Laboratorium.—1925/Cal/96.
- Dassault Aviation.—1830/Cal/96.
- Davsi, R.F.—2051/Cal/96.
- Degussa AG.—1282/Cal/96, 1285/Cal/96, 1644/Cal/96, 1730/Cal/96, 1910/Cal/96 & 2209/Cal/96.
- Derivados Del Etilo, S.A.—2032/Cal/96.
- Deutscher Verein Des Gas-Und Wasserfaches E.V.—1255/Cal/96.
- Didier-Werke AG.—1281/Cal/96.
- Didion Mfg Co.—1338/Cal/96.
- Dowa Mining Co. Ltd.—2214/Cal/96 & 2226/Cal/96.
- Dr. Gerhard Mann Chemisch-Pharmazeutische Fabrik GmbH.—1431/Cal/96.
- Drinkard Metalon, Inc.—1829/Cal/96 & 2067/Cal/96.
- Druckgusswerk Mosaner GmbH.—2175/Cal/96.
- “E”
- E C P Enichem Polimeri S.R.L.—1632/Cal/96.
- E D Scharwachter GmbH & Co. KG.—1409/Cal/96 & 1827/Cal/96.
- E. I. Du Pont De Nemours & Co.—1205/Cal/96, 1208/Cal/96, 1243/Cal/96, 1287/Cal/96, 1323/Cal/96, 1358/Cal/96, 1437/Cal/96, 1458/Cal/96, 1477/Cal/96, 1579/Cal/96, 1730/Cal/96, 1750/Cal/96, 1774/Cal/96, 1858/Cal/96, 1859/Cal/96, 1890/Cal/96, 1891/Cal/96, 1918/Cal/96, 1954/Cal/96, 1973/Cal/96, 2003/Cal/96, 2143/Cal/96, 2144/Cal/96, 2153/Cal/96, 2171/Cal/96, 2172/Cal/96, 2208/Cal/96, 2212/Cal/96 & 2237/Cal/96.
- E L F Atochem North America Inc.—1374/Cal/96.
- E M S Invento AG.—1229/Cal/96, 1300/Cal/96, 1436/Cal/96 & 2105/Cal/96.
- Eaton Corporation.—1221/Cal/96 & 1557/Cal/96.
- Edmeston AB.—2080/Cal/96.
- Edward Mendell Co. Inc.—1814/Cal/96, 1916/Cal/96 & 1932/Cal/96.
- Fergeth, H.—2011/Cal/96.
- Electronics Research and Development Centre of India.—1723/Cal/96.
- El Lilly & Co.—1563/Cal/96, 1764/Cal/96, 1765/Cal/96, 1960/Cal/96, 1961/Cal/96, 1999/Cal/96 & 2000/Cal/96.
- El Lilly & Co. (NZ) Ltd.—1233/Cal/96.
- Elpatronic AG.—1331/Cal/96 & 1332/Cal/96.
- Emagmaschinen Vertriebs-Und Service GmbH.—1313/Cal/96.
- Elsag International N.V.—1783/Cal/96.
- Emerson Electric Co.—1865/Cal/96.
- Emitec Gesellschaft Fur Emissions technologie mbH.—1526/Cal/96, 1678/Cal/96, 1708/Cal/96 & 1735/Cal/96.
- Encelle, Inc.—1975/Cal/96.
- Engelhard Corporation.—1242/Cal/96, 1629/Cal/96, 1743/Cal/96, 1744/Cal/96, 2091/Cal/96 & 2179/Cal/96.
- Essef Corporation.—1539/Cal/96.
- Ethicon Inc.—1206/Cal/96, 1839/Cal/96 & 1900/Cal/96.
- Euroceltique S.A.—1452/Cal/96.
- Everlight U S A, Inc.—1808/Cal/96.



## "F"

Fabrique De Montres Delancan S.A.—2047/Cal/96.  
 Fepton Environmental Technologies, Inc.—1837/Cal/96.  
 Fico Triad S.A.—1736/Cal/96, 1738/Cal/96 & 1861/Cal/96.  
 Fine Organics Ltd.—1508/Cal/96.  
 Flogates Ltd.—2140/Cal/96.  
 Fouzdar, S.—1995/Cal/96.  
 Fuji Photo Film Co. Ltd.—2163/Cal/96.  
 Fukuoku Kagaku Ltd.—1658/Cal/96.

## "G"

Gehr G.—1641/Cal/96.  
 General Electric Co.—1465/Cal/96, 1706/Cal/96, 1707/Cal/96, 1845/Cal/96 & 1991/Cal/96.  
 Georg Fischer Rohrleitungssysteme AG.—1613/Cal/96.  
 Germix Oy.—1518/Cal/96.  
 Ghosal, H.—1518/Cal/96.  
 Ghosh, D. (Mrs.)—1779/Cal/96.  
 Ghosh, K. S.—1995/Cal/96.  
 Ghosh, S. (Mr.)—1779/Cal/96.  
 Giesecke & Devrient GmbH.—1296/Cal/96.  
 Gilgrascript Ltd.—2005/Cal/96.  
 Glenayre Electronics, Inc.—1763/Cal/96.  
 Goel, R.—1884/Cal/96.  
 Graf & Cie AG.—1309/Cal/96 & 1450/Cal/96.  
 Graff, R. W.—1938/Cal/96.  
 Grigorievich, Y. V.—1618/Cal/96.  
 Gracholski, W. L.—1278/Cal/96.  
 Gupta, A. D. (Sri)—1795/Cal/96.

## "H"

Habasit AG.—2147/Cal/96.  
 Hakkert.—1601/Cal/96.  
 Harnischfeger Corporation.—1240/Cal/96, 1375/Cal/96, 1377/Cal/96 & 1760/Cal/96.  
 Hauers, M.—2096/Cal/96.  
 Hayashi, S.—1488/Cal/96.  
 Herzeth, H.—2170/Cal/96.  
 Hermetik Hydraulik AB.—1688/Cal/96.  
 Hideaki, W.—2187/Cal/96.  
 Hitachi Ltd.—1334/Cal/96, 1367/Cal/96, 1510/Cal/96, 1511/Cal/96, 1645/Cal/96, 1831/Cal/96, 1873/Cal/96, 1974/Cal/96, 1996/Cal/96, 2023/Cal/96, 2131/Cal/96, & 2195/Cal/96.  
 Hitachi Ulsi Engineering Corporation.—2195/Cal/96.  
 Hoechst AG.—1231/Cal/96, 1232/Cal/96, 1359/Cal/96, 1556/Cal/96, 1875/Cal/96, 1952/Cal/96 & 2075/Cal/96.  
 Hoechst Celanese Corporation.—1627/Cal/96, 1718/Cal/96, 1828/Cal/96, 2135/Cal/96 & 2136/Cal/96.  
 Hollanding Inc.—1356/Cal/96.  
 Hollandse Signaalapparaten B.V.—1674/Cal/96.  
 Huang, C.—2081/Cal/96.  
 Hudson Products Corporation.—1759/Cal/96 & 2004/Cal/96.  
 3—247 GI/99

Humat Kotreonika A.S.—1317/Cal/96.  
 Hunter Fan Co.—1977/Cal/96.  
 Hyal Pharmaceutical Corporation.—1848/Cal/96, 2042/Cal/96 & 2192/Cal/96.  
 Hydro-Quebec.—2206/Cal/96.  
 Hyundai Motor Co.—2024/Cal/96, 2025/Cal/96, 2027/Cal/96, 2038/Cal/96 & 2029/Cal/96.

## "I"

I C I India Ltd.—1502/Cal/96.  
 I.M.A. Industria Machine Automatche SPA.—1620/Cal/96 & 1798/Cal/96.  
 Indian Council of Agricultural Research Unit.—1933/Cal/96.  
 Industriekontakt, Ing. O. Ellingsen & Co.—1866/Cal/96.  
 Ingenieria GX Agullo, S.A.—1238/Cal/96 & 1239/Cal/96.  
 Institut fur Neue Materialien Gemeinnutzige GmbH.—1583/Cal/96 & 1784/Cal/96.  
 Intercontinental Quimica, S.A.—1685/Cal/96.  
 International Commercial Traders.—1269/Cal/96.  
 Interotex E.E.I.G.—1802/Cal/96.  
 Inter Wave Communications International Ltd.—1573/Cal/96, 1574/Cal/96 & 1575/Cal/96.  
 Invetech Operations Pty. Ltd.—2250/Cal/96.  
 Iscar Ltd.—1543/Cal/96, 2252/Cal/96 & 2255/Cal/96.  
 Ishikawajima.—Harima Heavy Industries Co. Ltd.—2088/Cal/96.  
 Ito, H.—1628/Cal/96 & 1775/Cal/96.

## "J"

Jain, S.K. (Dr.)—1468/Cal/96.  
 Janssen Pharmaceutica N.V.—1787/Cal/96, 1880/Cal/96, 1881/Cal/96, 2076/Cal/96, 2223/Cal/96, 2224/Cal/96 & 2225/Cal/96.  
 Jennings, N.T.—1397/Cal/96.  
 Johnson & Johnson Inc.—1673/Cal/96, 1742/Cal/96, 2016/Cal/96 & 2017/Cal/96.  
 Johnson & Johnson Medical Inc.—1844/Cal/96, 1876/Cal/96 & 1877/Cal/96.  
 Johnson & Johnson Vision Products, Inc.—1536/Cal/96, 1537/Cal/96 & 1538/Cal/96.  
 Jowa Gruppen AB.—2266/Cal/96.

## "K"

Kabushiki Kaisha Yasuda Corporation.—2079/Cal/96.  
 Kaneka Corporation.—1754/Cal/96.  
 Kar, A.K.—1501/Cal/96.  
 Kar, S. (Dr.)—1226/Cal/96.  
 Katator AB.—1993/Cal/96.  
 Kato, H.—2088/Cal/96.  
 Kawasaki Steel Corporation.—1312/Cal/96, 1337/Cal/96, 1393/Cal/96, 1602/Cal/96, 2064/Cal/96 & 2202/Cal/96.  
 Keiper Recaro GmbH & Co.—1772/Cal/96.  
 Kerr-Mcree Chemical Corporation.—1315/Cal/96, 1316/Cal/96, 1318/Cal/96, 1319/Cal/96, 1752/Cal/96, 1978/Cal/96 & 1979/Cal/96.  
 Keystone International Holdings Corp.—1444/Cal/96.  
 Kidde Industries, Inc.—1734/Cal/96.  
 Kitamura, Y.—1588/Cal/96.

## "K"

Klinger AG.—2123/Cal/96 & 2174/Cal/96.  
 Knecht Filterwerke GmbH.—1224/Cal/96.  
 Koczi, W.—1256/Cal/96.  
 Kotobuki & Co. Ltd.—1341/Cal/96.  
 Kramer, K.N.—2068/Cal/96.  
 Krone AG.—1395/Cal/96, 1396/Cal/96, 1483/Cal/96, 1525/  
 Cal/96, 1598/Cal/96 & 1679/Cal/96.  
 Krupp Koppers GmbH.—1962/Cal/96.  
 Kwang Yang Motor Co. Ltd.—1280/Cal/96.

## "L"

L & C Steinmuller GmbH.—1254/Cal/96.  
 LA—Z—Boy Inc.—1767/Cal/96.  
 L E S Laboratories Aeterna Inc.—1427/Cal/96.  
 L G Electronics Inc.—1257/Cal/96, 1446/Cal/96, 1460/Cal/  
 96, 1467/Cal/96, 1642/Cal/96, 1663/Cal/96, 1704/Cal/  
 96, 1739/Cal/96, 1746/Cal/96, 1807/Cal/96, 1886/Cal/  
 96, 1887/Cal/96, 1927/Cal/96, 1939/Cal/96, 1967/Cal/  
 96, 2013/Cal/96, 2020/Cal/96, 2087/Cal/96, 2121/  
 Cal/96, 2155/Cal/96, 2162/Cal/96, 2207/Cal/96, 2231/  
 Cal/96 & 2240/Cal/96.  
 L G Industrial Systems Co. Ltd.—1616/Cal/96.  
 Laboratoire Innothera.—2146/Cal/96 & 2148/Cal/96.  
 Laforest BIC, S.A.—2093/Cal/96.  
 Lay, T. S.—2187/Cal/96.  
 Lear Astronics Corporation.—1728/Cal/96.  
 Lee, C.—2078/Cal/96.  
 Leuckel, W.—1255/Cal/96.  
 Libbey Glass Inc.—2182/Cal/96.  
 Libbey-Owens Ford Co.—1413/Cal/96.  
 Li, F.—2260/Cal/96.  
 Lifescan, Inc.—1371/Cal/96.  
 Likospol S.R.O.—1614/Cal/96.  
 Lilly Industries Ltd.—2154/Cal/96.  
 Lin, S.—1335/Cal/96.  
 Loderway Pty. Ltd.—1870/Cal/96.  
 Lucky Ltd.—1453/Cal/96.  
 Lynch, W.M.—1820/Cal/96.

## "M"

M C I Communication Corporation.—2241/Cal/96.  
 M M C Agro Ltd.—1339/Cal/96.  
 Magneti Marelli Iberica, S.A.—1204/Cal/96 & 1994/Cal/96.  
 Magnier, P.—1926/Cal/96.  
 Mando Machinery Corporation.—1417/Cal/96.  
 Marine Biological Laboratory.—2205/Cal/96.  
 Martelli Lavorazioni Tessili S.R.L.—2014/Cal/96.  
 Maschinentabrik Korfmann GmbH.—1731/Cal/96.  
 Massachusetts Institute of Technology.—1882/Cal/96.  
 Matsushita Electric Industrial Co. Ltd.—1292/Cal/96, 1324/  
 Cal/96, 1325/Cal/96, 1456/Cal/96, 1478/Cal/96, 1609/  
 Cal/96, 1635/Cal/96, 1636/Cal/96, 1695/Cal/96, 1757/  
 Cal/96, 1850/Cal/96 & 2227/Cal/96.  
 McNeil-PPc, Inc.—1493/Cal/96, 1494/Cal/96, 1495/Cal/96,  
 1541/Cal/96, 1542/Cal/96, 1856/Cal/96, 1857/Cal/96 &  
 2219/Cal/96 & 2220/Cal/96.  
 Melendez, M.I.—1948/Cal/96.

Merck Patent Gesellschaft Mit Beschränkter Haftung.—1327/  
 Cal/96, 1350/Cal/96, 1360/Cal/96, 1414/Cal/96, 1415/  
 Cal/96, 1463/Cal/96, 1480/Cal/96, 1481/Cal/96,  
 1610/Cal/96, 1611/Cal/96, 1612/Cal/96, 1621/Cal/96,  
 1671/Cal/96, 1781/Cal/96, 2009/Cal/96, 2021/Cal/96,  
 2117/Cal/96, 2210/Cal/96 & 2211/Cal/96.

Merida, A.A.—2259/Cal/96.  
 Metallgesellschaft AG.—1560/Cal/96, 1821/Cal/96, 1897/  
 Cal/96, 1898/Cal/96, 2040/Cal/96 & 2084/Cal/96.  
 Metroark Ltd.—1818/Cal/96.  
 Miba Gleitlager AG.—1245/Cal/96.  
 Microdiag.—1924/Cal/96.  
 Midrex International B.V.—1515/Cal/96.  
 Midwest Research Institute.—1693/Cal/96, 1694/Cal/96 &  
 2199/Cal/96.  
 Mishra, R.C. (Dr.)—1778/Cal/96.  
 Mitter, K.A.—7548/Cal/96.  
 Mitra, S.K.—1995/Cal/96.  
 Mitsuba Corporation.—2122/Cal/96.  
 Mitsuba Electric Mfg. Co. Ltd.—1700/Cal/96.  
 Mitsubishi Materials Corporation.—2138/Cal/96.  
 Mitsui Petrochemical Industries Ltd.—1246/Cal/96, 1786/  
 Cal/96 & 2242/Cal/96.  
 Mohanty, D.D.—1237/Cal/96.  
 Molex Inc.—1565/Cal/96, 1566/Cal/96 & 1921/Cal/96.  
 Mondal, P.K.—1651/Cal/96, 1687/Cal/96 & 2176/Cal/96.  
 Motan Holding GmbH.—1476/Cal/96.  
 Montecatini Technologie S.R.L.—1989/Cal/96.  
 Montell North America Inc.—1603/Cal/96 & 2203/Cal/96.  
 Montell Technology Co.—1288/Cal/96.  
 Moon, B.—1749/Cal/96.  
 Mukherjee, S.R.—1368/Cal/96 & 1639/Cal/96.  
 Mukherjee, T. (Dr.)—1903/Cal/96.  
 Multi-Stroke Ltd.—1311/Cal/96.  
 Murata Mfg. Co. Ltd.—2161/Cal/96.  
 Murata, Y.—1628/Cal/96 & 1775/Cal/96.

## "N"

N G K Insulators, Ltd.—1748/Cal/96.  
 N S Planning Inc.—1893/Cal/96.  
 N. V. Union Miniere S.A.—2045/Cal/96.  
 Nandi, B.—1228/Cal/96.  
 Nandi, P.—1788/Cal/96.  
 Nash Engineering Co., The.—1660/Cal/96.  
 National Dairy Development Board.—1437/Cal/96.  
 Natural Pac Co.—1403/Cal/96.  
 Neste Oy.—1777/Cal/96 & 2197/Cal/96.  
 Neuffer, A.E.—1965/Cal/96.  
 Neurocrine Biosciences Inc.—1787/Cal/96.  
 Nihon Parkerizing Co. Ltd.—1602/Cal/96.  
 Nippon Kagaku Kabushiki Kaisha.—2054/Cal/96.  
 Nippon Steel Corporation.—1383/Cal/96.  
 Nitro Nobel AB.—2151/Cal/96.  
 Nitto Chemical Industry Co. Ltd.—1544/Cal/96.  
 Noise Cancellation Technologies Inc.—1724/Cal/96 & 1868/  
 Cal/96.

## "N"

Nottingham Holding B.V.—1733/Cal/96.  
Novibra GmbH.—1408/Cal/96.

## "O"

Ohio Electronic Engravers Inc.—2041/Cal/96.  
Ohio University.—2238/Cal/96.  
Olsen, F.—1956/Cal/96.  
Omnipoint Corporation.—1672/Cal/96 & 1824/Cal/96.  
Ona Electro-Erosion, S.A.—1492/Cal/96 & 1949/Cal/96.  
Orient Watch Co. Ltd.—1740/Cal/96.  
Orr, W.C.—2139/Cal/96.  
Orthoscopic Technologies, Inc.—1487/Cal/96.  
Otsuka Pharmaceutical Co. Ltd.—1696/Cal/96.  
Owens Corning.—1475/Cal/96.

## "P"

P A J, Innc.—2232/Cal/96.  
P G S Ocean Bottom Seismic, Inc.—1230/Cal/96.  
P L C Medical Systems, Inc.—1855/Cal/96.  
P P G Industries, Inc.—1942/Cal/96, 2164/Cal/96 & 2261/Cal/96.  
Paj Lung Machinery Mill Co. Ltd.—1448/Cal/96 & 1631/Cal/96.  
Pannevis B. V.—2108/Cal/96 & 2178/Cal/96.  
Pantacast S. R. L.—2062/Cal/96.  
Patel, A. (Dr. Ms.).—1437/Cal/96.  
Patel, V. A.—2031/Cal/96.  
Patentes Y Novedades, S. L.—1791/Cal/96.  
Patent-Treuhand-Gesellschaft Fur Electriche Gluhlampen MBH.—1293/Cal/96.  
Pates Technology Patent Verwertungs-Gesellschaft fur Satelliten Und Moderne Informationstechnologien GmbH.—1405/Cal/96 & 1911/Cal/96.  
Paul, P.—1258/Cal/96, 1259/Cal/96, 1260/Cal/96, 1261/Cal/96, 1262/Cal/96, 1263/Cal/96, 1264/Cal/96, 1265/Cal/96, 1266/Cal/96 & 1267/Cal/96.  
Paul, P. S. (Mr.).—1986/Cal/96.  
Paul, T.—1604/Cal/96.  
Pedex & Co. GmbH.—1564/Cal/96.  
Peleidärer Verkehrstechnik GmbH & Co. KG.—1336/Cal/96.  
Pelz, P.—1304/Cal/96.  
Penn State Research Foundation, The.—2112/Cal/96.  
Pepsico Inc.—1792/Cal/96.  
Petrofarm Inc.—1756/Cal/96.  
Petroleum Geo-Services, Inc.—1914/Cal/96.  
Philips Electronics N.V.—1276/Cal/96, 1277/Cal/96, 1289/Cal/96, 1329/Cal/96, 1530/Cal/96, 1531/Cal/96, 1532/Cal/96, 1569/Cal/96, 1617/Cal/96, 1655/Cal/96, 1686/Cal/96, 1780/Cal/96, 1796/Cal/96, 1853/Cal/96, 1892/Cal/96, 1906/Cal/96, 1934/Cal/96, 1983/Cal/96, 1984/Cal/96, 2007/Cal/96, 2048/Cal/96 & 2134/Cal/96.  
Phillips Petroleum Co.—1930/Cal/96 & 2130/Cal/96.  
Plasmaco Inc.—1928/Cal/96 & 1929/Cal/96.  
Pohang Iron & Steel Co. Ltd.—2256/Cal/96 & 2257/Cal/96.  
Poligrat Holding GmbH.—2113/Cal/96.  
Polyclip System GmbH & Co. KG.—1917/Cal/96.  
Prasad, H. N.—1234/Cal/96.  
Premier Irrigation Equipment Ltd.—1935/Cal/96.

## "R"

R & C Products Pty. Ltd.—1217/Cal/96 & 1790/Cal/96.  
R C A Thomson Licensing Corporation.—1301/Cal/96.  
R. J. Renolds Tobacco Co.—1957/Cal/96.  
R O N Richards Engine Technologies Pty. Ltd.—1653/Cal/96.  
R X S Kabelgarnituren GmbH.—2036/Cal/96 & 2083/Cal/96.  
Rai, R. N.—1773/Cal/96.  
Rajagopalan, K.—1747/Cal/96.  
Ramesh, S.—1438/Cal/96.  
Rao, A. P.—1727/Cal/96 & 2069/Cal/96.  
Ray, S. C. (Dr.).—1626/Cal/96.  
Reckitt & Colman Inc.—1288/Cal/96, 1376/Cal/96 & 1429/Cal/96.  
Reckitt & Colman of India Ltd.—1328/Cal/96, 1385/Cal/96, 1386/Cal/96, 1387/Cal/96 & 1388/Cal/96.  
Recordati S. A. Chemical and Pharmaceutical Co.—1220/Cal/96.  
Regents of the University of California, The.—1457/Cal/96.  
Reilly Industries, Inc.—1268/Cal/96.  
Research Institute of Industrial Science & Technology.—2256/Cal/96 & 2257/Cal/96.  
Respironics, Inc.—1305/Cal/96.  
Rexam Australia Pty. Ltd.—1485/Cal/96.  
Rieke Corporation.—2099/Cal/96.  
Rieter Automatik GmbH.—1213/Cal/96, 1214/Cal/96, 1215/Cal/96, 1216/Cal/96 & 1722/Cal/96.  
Ross Operating Valve Co.—2114/Cal/96, 2115/Cal/96 & 2116/Cal/96.  
Roy, S.—1819/Cal/96.  
Roy, S. K. C.—1995/Cal/96.  
Rubbermaid Health Care Products Inc.—1904/Cal/96.

## "S"

S E B S. A.—1797/Cal/96, 2196/Cal/96 & 2198/Cal/96.  
S K C Ltd.—1972/Cal/96.  
S. N. Electrotalk Industries.—1656/Cal/96.  
Saint Gobain Vitrage.—1314/Cal/96, 1342/Cal/96, 1640/Cal/96 & 1719/Cal/96.  
Samsung Aerospace Industries, Ltd.—1737/Cal/96.  
Samsung Display Devices Co. Ltd.—1860/Cal/96 & 1895/Cal/96.  
Samsung Electronics Co. Ltd.—1279/Cal/96, 1665/Cal/96, 1666/Cal/96, 1667/Cal/96, 1758/Cal/96, 1762/Cal/96, 1836/Cal/96, 1840/Cal/96, 1946/Cal/96, 1998/Cal/96, 2015/Cal/96, 2221/Cal/96, 2235/Cal/96, 2236/Cal/96, & 2265/Cal/96.  
Sangstate Medical Corporation.—1394/Cal/96.  
Satake Corporation.—2167/Cal/96.  
Schmidt & Lenhardt GmbH & Co.—1290/Cal/96.  
Schock & Co. GmbH.—1482/Cal/96.  
Schweitzer Engineering Laboratories, Inc.—1562/Cal/96, 1766/Cal/96 & 1803/Cal/96.  
Sekisui Kagaku Kogyo Kabushiki Kaisha.—1811/Cal/96.  
Senova Kunststoffe Gesellschaft M.B.H.—1445/Cal/96.  
Sett, S. K.—1568/Cal/96.  
Sharan, A. M.—1940/Cal/96.  
Sharma, R. P.—1438/Cal/96.

"S"

Showa Aluminum Corporation.—1218/Cal/96 & 2248/Cal/96.  
 Showa Entetsu Co. Ltd.—1219/Cal/96.  
 Siemens Ag.—1211/Cal/96, 1212/Cal/96, 1247/Cal/96, 1272/Cal/96, 1283/Cal/96, 1284/Cal/96, 1291/Cal/96, 1294/Cal/96, 1302/Cal/96, 1322/Cal/96, 1346/Cal/96, 1346/Cal/96, 1347/Cal/96, 1348/Cal/96, 1361/Cal/96, 1365/Cal/96, 1366/Cal/96, 1372/Cal/96, 1373/Cal/96, 1406/Cal/96, 1416/Cal/96, 1423/Cal/96, 1432/Cal/96, 1433/Cal/96, 1434/Cal/96, 1435/Cal/96, 1439/Cal/96, 1440/Cal/96, 1441/Cal/96, 1442/Cal/96, 1443/Cal/96, 1454/Cal/96, 1455/Cal/96, 1471/Cal/96, 1472/Cal/96, 1473/Cal/96, 1473/Cal/96, 1513/Cal/96, 1514/Cal/96, 1521/Cal/96, 1522/Cal/96, 1523/Cal/96, 1524/Cal/96, 1546/Cal/96, 1553/Cal/96, 1554/Cal/96, 1555/Cal/96, 1558/Cal/96, 1559/Cal/96, 1577/Cal/96, 1585/Cal/96, 1591/Cal/96, 1592/Cal/96, 1593/Cal/96, 1594/Cal/96, 1599/Cal/96, 1605/Cal/96, 1606/Cal/96, 1607/Cal/96, 1608/Cal/96, 1634/Cal/96, 1643/Cal/96, 1649/Cal/96, 1650/Cal/96, 1652/Cal/96, 1661/Cal/96, 1662/Cal/96, 1669/Cal/96, 1670/Cal/96, 1675/Cal/96, 1676/Cal/96, 1677/Cal/96, 1681/Cal/96, 1682/Cal/96, 1689/Cal/96, 1690/Cal/96, 1691/Cal/96, 1692/Cal/96, 1697/Cal/96, 1698/Cal/96, 1720/Cal/96, 1721/Cal/96, 1732/Cal/96, 1768/Cal/96, 1769/Cal/96, 1770/Cal/96, 1799/Cal/96, 1800/Cal/96, 1801/Cal/96, 1810/Cal/96, 1812/Cal/96, 1846/Cal/96, 1874/Cal/96, 1901/Cal/96, 1902/Cal/96, 1950/Cal/96, 1951/Cal/96, 1963/Cal/96, 1964/Cal/96, 1968/Cal/96, 1969/Cal/96, 1987/Cal/96, 1988/Cal/96, 1997/Cal/96, 2010/Cal/96, 2037/Cal/96, 2038/Cal/96, 2039/Cal/96, 2053/Cal/96, 2063/Cal/96, 2070/Cal/96, 2071/Cal/96, 2072/Cal/96, 2073/Cal/96, 2074/Cal/96, 2082/Cal/96, 2090/Cal/96, 2097/Cal/96, 2098/Cal/96, 2106/Cal/96, 2109/Cal/96, 2110/Cal/96, 2111/Cal/96, 2128/Cal/96, 2129/Cal/96, 2152/Cal/96, 2180/Cal/96, 2193/Cal/96, 2194/Cal/96 & 2264/Cal/96.  
 Siemens Automotive Corporation.—1207/Cal/96.  
 Siemens Business Communication Systems Inc.—2132C/Cal/96.  
 Siemens Energy & Automation, Inc.—2239/Cal/96.  
 Siemens Hearing Instrument Inc.—1826/Cal/96.  
 Signotron (India) Pvt. Ltd.—1295/Cal/96 & 2228/Cal/96.  
 Simon, G.—2081/Cal/96.  
 Singh, U. K. (Dr.).—1778/Cal/96.  
 Sinha, A. (Dr.).—1982/Cal/96.  
 Sihna, J. P.—2012/Cal/96.  
 Sirkar, A.—1570/Cal/96 & 1571/Cal/96.  
 Solplax Ltd.—1582/Cal/96.  
 Sound Advance Systems, Inc.—1944/Cal/96.  
 South East Queensland Electricity Corp.—1943/Cal/96.  
 Southern New England Telephone Co., The.—1527/Cal/96.  
 Spier GmbH & Co.—1428/Cal/96.  
 Stahlecker, F.—1896/Cal/96.  
 Stahlecker, H.—1896/Cal/96.  
 Stahlgruber Otto Gruber GmbH & Co.—1811/Cal/96.  
 Stahlwerke Bremen GmbH.—1688/Cal/96.  
 Staratsys Inc.—1922/Cal/96.  
 Steag AG.—1643/Cal/96.  
 Steel Authority of India Ltd.—1788/Cal/96.  
 Steeno Research Group A/S.—2251/Cal/96.  
 Steigerwald Arzneimittelwerk GmbH.—1512/Cal/96.  
 Stork Bratant B.V.—1761/Cal/96.  
 Stork Screens B.V.—1404/Cal/96.  
 Sumitomo Chemical Co. Ltd.—1271/Cal/96.  
 Sumitomo Metal Industries.—1625/Cal/96.  
 Suspa Compart AG.—1431/Cal/96.  
 Suzuki Motor Corporation.—2023/Cal/96.

"S"

Sycom International Corp.—1464/Cal/96.  
 Syquest Technology Inc.—1379/Cal/96, 1435/Cal/96, 1823/Cal/96, 1834/Cal/96, 1958/Cal/96 & 1959/Cal/96.

"T"

T R W Inc.—1647/Cal/96 & 1741/Cal/96.  
 Takeda Chemical Industries, Ltd.—1567/Cal/96 & 1646/Cal/96.  
 Tata Iron & Steel Co. Ltd., The.—1234/Cal/96, 1903/Cal/96 & 1986/Cal/96.  
 Tatcho Chemical Industries Co. Ltd.—1333/Cal/96 & 1912/Cal/96.  
 Technological Resources Pty. Ltd.—1418/Cal/96 & 1912/Cal/96.  
 Tech Sott GmbH.—2262/Cal/96.  
 Teikoku Seiyaku Kabushikki Kaisha.—1486/Cal/96.  
 Teledyne Industries, Inc.—1869/Cal/96 & 2102/Cal/96.  
 Telikicherla, M. M.—1470/Cal/96.  
 Temic Bayern-Chemie Airbag GmbH.—1622/Cal/96 & 2145/Cal/96.  
 Tensor Corporation, The.—1500/Cal/96.  
 Tetra Laval Holdings & Finance S.A.—1410/Cal/96, 1517/Cal/96, 2168/Cal/96, 2169/Cal/96 & 2204/Cal/96.  
 Texaco Development Corporation.—1248/Cal/96.  
 Thermal Components.—1699/Cal/96.  
 Thomas, C.—2068/Cal/96.  
 Thomson Consumer Electronics, Inc.—1210/Cal/96, 1369/Cal/96, 1547/Cal/96, 1782/Cal/96, 1816/Cal/96, 2019/Cal/96, 2055/Cal/96, 2085/Cal/96, 2120/Cal/96 & 2181/Cal/96.  
 Thomson Multimedia S.A.—1307/Cal/96 & 1308/Cal/96.  
 Thyssen Guss AG.—1964/Cal/96.  
 Thyssen Stahl AG.—1883/Cal/96.  
 Timex Corporation.—1580/Cal/96.  
 Trico Products Corporation.—1878/Cal/96.  
 Tymon Corporation Ltd.—2103/Cal/96.

"U"

U. S. Filter/Zimpro Inc.—1306/Cal/96.  
 Union Camp Corporation.—1804/Cal/96, 1805/Cal/96 & 1806/Cal/96.  
 Uno, T.—1533/Cal/96.  
 Universal Air Technology Inc.—1509/Cal/96.  
 University of British Columbia, The.—1275/Cal/96.  
 University of North Carolina.—1394/Cal/96.  
 University of Queensland, The.—1589/Cal/96, 1590/Cal/96, 1851/Cal/96, 1913/Cal/96, 2089/Cal/96 & 2107/Cal/96.

"V"

V A Teknik & Vattenvardi Brosarp AB.—1419/Cal/96.  
 V D O Adolf Schindling AG.—1407/Cal/96.  
 V. Mane Fils, S.A.—1540/Cal/96.  
 Vallejos, D. R.—2187/Cal/96.  
 Vallource Oil & Gas.—1625/Cal/96.  
 Vertex Pharmaceuticals Inc.—1753/Cal/96, 1755/Cal/96, 2188/Cal/96 & 2189/Cal/96.  
 Vetrotex France.—1411/Cal/96, 1849/Cal/96 & 2119/Cal/96.  
 Vianova Kunstharz AG.—2118/Cal/96.  
 Viero S.R.L.—2150/Cal/96 & 2166/Cal/96.  
 Vifor (International) AG.—2177/Cal/96.

"V"

Vistar Telecommunications Inc.—2100/Cal/96 &amp; 2101/Cal/96.

Vits. D.—2096/Cal/96.

Voest-Alpine Industrieanlagenbau GmbH.—2236/Cal/96 &amp; 2237/Cal/96.

"W"

W. L. Gore &amp; Associates GmbH.—1297/Cal/96 &amp; 1705/Cal/Mum/96.

V. Schlahorst AG &amp; Co.—1241/Cal/96, 1273/Cal/96, 1489/Cal/96, 1561/Cal/96 &amp; 1947/Cal/96.

Wagner International AG.—1936/Cal/96.

Wago Verwaltungsgesellschaft MBH.—1894/Cal/96.

Walker Estes Corporation.—1466/Cal/96.

Walter AG.—1684/Cal/96.

Western Atlas U.K. Ltd.—1528/Cal/96.

Westinghouse Electric Corporation.—1815/Cal/96.

Wiggins Teape Group Ltd.—1863/Cal/96.

William Cook Cast Products Ltd.—1459/Cal/96.

Windmoller &amp; Holscher.—1424/Cal/96, 1623/Cal/96, 1624/Cal/96, 1680/Cal/96, 1771/Cal/96, 1990/Cal/96, 2002/Cal/96, 2141/Cal/96 &amp; 2142/Cal/96.

Mitco Corporation.—1209/Cal/96, 1384/Cal/96 &amp; 1813/Cal/96.

Volters Plate GmbH.—1648/Cal/96.

Worldspace, Inc.—2094/Cal/96.

Wung, J.—1506/Cal/96.

"Y"

Yamaha Hatsudoki Kabushiki Kaisha.—1249/Cal/96, 1250/Cal/96, 1251/Cal/96, 1252/Cal/96 &amp; 1253/Cal/96.

Yang, T.—1597/Cal/96.

Yang, Y.—1578/Cal/96, 2253/Cal/96 &amp; 2254/Cal/96.

Yoo, W.—1749/Cal/96.

Yoshino Denka Kogyo, Inc.—1545/Cal/96.

"Z"

Zimmern, B.—1380/Cal/96.

## MUMBAI

(336/Mum/96—627/Mum/96).

"A"

Agrico.—603/Mum/96.

Adalbert, G.—508/Mum/96.

Agharkar Research Institute.—460/Mum/96.

Agrawal, J. N.—567/Mum/96.

Amin, K. S. (Dr.).—580/Mum/96.

Associated Cement Co. Ltd.—The 530/Mum/96.

Automotive Research Association of India, The.—519/Mum/96.

"B"

B. C. S. Security Products Pvt. Ltd.—420/Mum/96.

Bagri, R.—359/Mum/96.

Balvi, K. V.—344/Mum/96.

Banker, S. C.—417/Mum/96.

Bapat, B. S. (Shri).—463/Mum/96.

Bapat, G. S. (Shri).—435/Mum/96, 436/Mum/96 &amp; 431/

Barge, V. R.—617/Mum/96.

"B"

Basu, A.—340/Mum/96, 341/Mum/96 &amp; 376/Mum/96.

Bhabha Atomic Research Centre.—397/Mum/96 &amp; 398/Bhagwat, S. V.—384/Mum/96.

Bhandari, M. (Mr.).—476/Mum/96.

Bhatt, V. H.—372/Mum/96.

Bhavnagar University.—494/Mum/96.

Bhavsar, H. M.—473/Mum/96.

Bhavsar, K. M.—473/Mum/96.

Bhosale, G. L.—373/Mum/96.

Big Ben Engg. Works, M/S.—582/Mum/96 & 602/Mum/96.  
Borle, S. P.—593/Mum/96.Bortoluzzi Sistemi S. R. L.—618/Mum/96 & 619/Mum/96.  
Burger, G.—497/Mum/96.

"C"

Chalil, K.—505/Mum/96.

Choradiya, P. (Dr.).—459/Mum/96.

Chordia, P.H. (Dr.).—498/Mum/96.

Cipla Ltd.—485/Mum/96.

Citurgia Biochemicals Ltd.—503/Mum/96 &amp; 504/Mum/96.

"D"

D' Souza, E.M.—443/Mum/96.

D'Souza, R. M.—443/Mum/96.

Danfors, A/S.—389/Mum/96.

Dashrath, N. B.—616/Mum/96.

Deepak Nitrite Ltd.—381/Mum/96 &amp; 382/Mum/96.

Degaonkar, S.M. (Mr.).—484/Mum/96.

Desai, H. K.—388/Mum/96.

Desai, K. K.—388/Mum/96.

Desai, R. K.—434/Mum/96.

Desai, V. K.—388/Mum/96.

Desai, Y.—473/Mum/96.

Deshpande, D. R.—387/Mum/96.

DeSouza, N. J. (Dr.).—367/Mum/96 &amp; 370/Mum/96.

Dhandhanian, A.—587/Mum/96.

Dolfode, S. K.—453/Mum/96 &amp; 454/Mum/96.

"E"

E C O Solar Systems (India) Pvt. Ltd.—460/Mum/96, 470/Mum/96 &amp; 471/Mum/96.

Eder Maschinenfabrik GmbH &amp; Co.—457/Mum/96.

Eicher Motors Ltd.—371/Mum/96.

Ems-Invents AG.—554/Mum/96.

Energetics Systems Corporation.—481/Mum/96.

Ergomedics Inc.—534/Mum/96.

"F"

Filterwerke Mann+Mummel GmbH.—354/Mum/96, 374/Mum/96, 375/Mum/96 &amp; 570/Mum/96.

Fintube Ltd., Partnership.—621/Mum/96.

Four Eyes Research (P) Ltd. M/s.—437/Mum/96, 455/Mum/96, &amp; 496/Mum/96.

"G"

Gaikar, V. G. (Dr.).—469/Mum/96.

Gajera, G. N.—427/Mum/96.

## "G"

Gajera, M. B.—427/Mum/96.  
 Gajera, R. N.—427/Mum/96.  
 Gajera, T. V.—427/Mum/96.  
 Gajera, V. B.—427/Mum/96.  
 Gajera, V. N.—427/Mum/96.  
 Gama, E. D. (Mr.)—406/Mum/96.  
 Gangal, A. B.—605/Mum/96.  
 Gareware-Wall Ropes Ltd.—487/Mum/96.  
 Garg, A. H.—462/Mum/96.  
 Gathoria, A.K.—347/Mum/96, 348/Mum/96, 349/Mum/96 & 350/Mum/96.  
 Ghaisas, Y. G.—479/Mum/96 & 480/Mum/96.  
 Ghole, M. V. (Mrs.)—467/Mum/96, 545/Mum/96, 546/Mum/96 & 547/Mum/96.  
 Global Environmental Engineering Ltd.—608/Mum/96.  
 Glycozyme Inc.—410/Mum/96.  
 Godbole, S. H. (Dr.)—509/Mum/96.  
 Gokhale T. S.—394/Mum/96, 395/Mum/96 & 396/Mum/96.  
 Gupta, S. K. (Dr.)—345/Mum/96 & 456/Mum/96.

## "H"

Hawins Cookers Ltd.—513/Mum/96, 518/Mum/96 & 520/Mum/96.  
 Hindustan Lever Ltd.—358/Mum/96, 364/Mum/96, 379/Mum/96, 390/Mum/96, 403/Mum/96, 441/Mum/96, 442/Mum/96, 444/Mum/96, 465/Mum/96, 483/Mum/96, 501/Mum/96, 512/Mum/96, 523/Mum/96, 550/Mum/96, 551/Mum/96, 552/Mum/96, 569/Mum/96, 574/Mum/96, 575/Mum/96, 576/Mum/96, 590/Mum/96, 591/Mum/96, 592/Mum/96, 594/Mum/96, 600/Mum/96, 610/Mum/96 & 624/Mum/96.

## "I"

I-Flow Corporation.—568/Mum/96.  
 I M C - Agrico GP Co.—603/Mum/96.  
 I M C - Agrico M. P. Inc.—603/Mum/96.  
 India Card Clothing Co. Ltd., The.—557/Mum/96.  
 Indian Institute of Technology.—386/Mum/96.  
 Indian Oil Corporation Ltd.—400/Mum/96, 506/Mum/96 & 614/Mum/96.  
 Indian Organic Chemicals Ltd.—541/Mum/96.  
 Indian Petrochemicals Corpn. Ltd.—353/Mum/96, 378/Mum/96, 438/Mum/96 & 439/Mum/96.  
 Institute for Plasma Research.—407/Mum/96, 408/Mum/96 & 613/Mum/96.  
 Intelligent Peripheral Devices, Inc.—620/Mum/96.  
 International Discount Telecommunications Inc.—502/Mum/96.  
 Isover Saint Gobain.—447/Mum/96.

## "J"

J. B. Chemicals & Pharmaceuticals Ltd.—422/Mum/96, 423/Mum/96, 490/Mum/96, 491/Mum/96 & 492/Mum/96.  
 Jain, D. K.—472/Mum/96.  
 Jain, P. C.—355/Mum/96 & 360/Mum/96.  
 Jain, S. K.—604/Mum/96.  
 Jhunjhunwala, M. K.—564/Mum/96 & 565/Mum/96.  
 Joshi, H. K.—555/Mum/96.  
 Joshi, S. H. (Mrs.)—555/Mum/96.  
 Joy, P. T.—343/Mum/96.

## "K"

Kadedwalla, K. H.—432/Mum/96.  
 Kalekar, Y. P.—524/Mum/96.  
 Karvs, W. P.—532/Mum/96.  
 Keeja, M. K.—385/Mum/96.  
 Khandgale, R. R.—459/Mum/96.  
 Khanna, A. C.—511/Mum/96.  
 Khanna, P. P.—511/Mum/96.  
 Kharawala, B. I.—417/Mum/96.  
 Khare, S. R.—474/Mum/96.  
 Khatiwala, P. H.—522/Mum/96.  
 Klenzoids Bioclean Devices (P) Ltd.—486/Mum/96.  
 Kolhatkar, S. G.—474/Mum/96.  
 Komatsu Ltd.—356/Mum/96 & 419/Mum/96.  
 Koninklijke Ptt Nederland N. V.—401/Mum/96.  
 Kopelowicz, A.—418/Mum/96.  
 Kouto, B. B.—458/Mum/96.  
 Kulkarni, A. H.—493/Mum/96.  
 Kulkarni, D. A. (Shri.)—507/Mum/96.  
 Kulkarni, G. N.—601/Mum/96.  
 Kulkarni, V. M. (Dr.)—365/Mum/96, 366/Mum/96, 368/Mum/96 & 369/Mum/96.  
 Kurita Water Industries Ltd.—440/Mum/96.

## "L"

Laporte Construction Chemicals North America Inc.—405/Mum/96.  
 Latha, V. (Ms.)—469/Mum/96.  
 Lockheed Idaho Technologies Co.—588/Mum/96.  
 Lupin Laboratories Ltd.—482/Mum/96, 499/Mum/96, 500/Mum/96, 529/Mum/96, 542/Mum/96 & 611/Mum/96.

## "M"

Macromed Inc.—536/Mum/96.  
 Makki, M. F.—393/Mum/96.  
 Mallya, D. K.—593/Mum/96.  
 March-Southwestern Corp.—421/Mum/96.  
 Marolis, H. G.—577/Mum/96 & 578/Mum/96.  
 Martaz Overseas Pvt. Ltd.—571/Mum/96.  
 Mayo Pressings Pvt. Ltd.—461/Mum/96.  
 Mehta, N.—573/Mum/96.  
 Metal Containers.—514/Mum/96.  
 Mintage Consultants Pvt. Ltd.—402/Mum/96.  
 Mistri, S. D.—475/Mum/96.  
 Mitsui Petrochemical Industries Ltd.—357/Mum/96.  
 Mohsin, A.—425/Mum/96, 428/Mum/96 & 429/Mum/96.  
 Mukherjee, P.K.—361/Mum/96.  
 Munshi, R.—417/Mum/96.

## "N"

Nagori, A. M.—573/Mum/96.  
 Navalkar, C. B.—626/Mum/96.  
 Navrekar, V. R.—383/Mum/96.  
 Nenvani, M.—543/Mum/96.  
 New Vant Designs Inc.—399/Mum/96.  
 Nikam, B. B.—625/Mum/96.

## "P"

Pai, J. S. (Dr.)—475/Mum/96.

## "P"

Pai Lung Europe Koch & Co.—579/Mum/96.  
 Palhan, R. K.—544/Mum/96.  
 Palsule, S.—468/Mum/96 & 539/Mum/96.  
 Paramount Sinters Pvt. Ltd.—566/Mum/96.  
 Paranjpe, S.C.—615/Mum/96.  
 Patel, B. N.—427/Mum/96.  
 Patel, B. T.—391/Mum/96.  
 Patel, C. J.—404/Mum/96.  
 Patel, R. D.—431/Mum/96.  
 Patel, S. D.—477/Mum/96 & 478/Mum/96.  
 Patel, S. Y.—431/Mum/96.  
 Patel, Y. E.—431/Mum/96.  
 Patil, A. M. (Mr.)—606/Mum/96.  
 Patil, P. S.—510/Mum/96.  
 Patwardhan, A. V.—474/Mum/96.  
 Patwardhan, S. W.—516/Mum/96.  
 Patwardhan, V. V.—474/Mum/96.  
 Patwardhan, W. D. (Dr.)—516/Mum/96.  
 Perfect Engineering Corporation—517/Mum/96.  
 Phenoweld Polymer Pvt. Ltd.—452/Mum/96.  
 Plastro Irrigation Systems (India) Ltd.—377/Mum/96.  
 Plumettaz, S. A.—401/Mum/96.  
 Praj Industries Ltd.—595/Mum/96.  
 Prakash, R.—352/Mum/96.

## "R"

Rao, M. P. (Dr.)—363/Mum/96.  
 Rashinkar, V. N.—605/Mum/96.  
 Rathod, B. K. N.—495/Mum/96.  
 Rathod, G. N.—495/Mum/96.  
 Ravindranath, G.—392/Mum/96, 548/Mum/96 & 549/Mum/96.  
 Rider Electronics Ltd.—380/Mum/96.  
 Rnade, D. R. (Dr.) & Others—528/Mum/96.  
 Rong, H. C.—596/Mum/96.  
 Roymoulik, S. K.—458/Mum/96.

## "S"

Sabre Group Inc., The—540/Mum/96.  
 Saif Electronic Ltd.—553/Mum/96.  
 Santhanam, K. S. V.—352/Mum/96.  
 Sathaya, G. V.—351/Mum/96.  
 Sathe, J. A.—488/Mum/96.  
 Searle (India) Ltd.—448/Mum/96, 449/Mum/96 & 450/Mum/96.  
 Scema Food Products Pvt. Ltd.—563/Mum/96.  
 Shandilya, J. C.—561/Mum/96.  
 Sharma, M.—464/Mum/96.  
 Sharma, S. (Smt.)—464/Mum/96.  
 Shendys, A. (Dr.)—558/Mum/96 & 559/Mum/96.  
 Sheth, S. N.—572/Mum/96.  
 Shilcher Electronics Ltd.—535/Mum/96.  
 Shrikrishna, A. M. (Shri)—560/Mum/96.  
 Simons, G.—406/Mum/96.  
 Singh, A.—533/Mum/96 & 581/Mum/96.

## "S"

Singhania, L. K.—412/Mum/96, 413/Mum/96, 414/Mum/96, 415/Mum/96 & 416/Mum/96.  
 Singh, B.—581/Mum/96.  
 Singvi, M. S.—583/Mum/96 & 584/Mum/96.  
 Sinha, B. N.—346/Mum/96.  
 Solanki, A.—598/Mum/96 & 599/Mum/96.  
 Sonic Biochem Extractions Pvt. Ltd.—562/Mum/96, 609/Mum/96, 622/Mum/96 & 623/Mum/96.  
 Srivastav, V. (Mr.)—531/Mum/96.  
 Sun Pharmaceutical Industries Ltd.—362/Mum/96, 424/Mum/96, 537/Mum/96, 538/Mum/96 & 597/Mum/96.  
 Suntech Technology Pvt. Ltd.—336/Mum/96.

## "T"

Takahashi, Y.—525/Mum/96 & 526/Mum/96.  
 Tamrakar, B. P. (Dr.)—515/Mum/96.  
 Tank, M. P.—426/Mum/96 & 433/Mum/96.  
 Tanksale, S. D.—337/Mum/96, 338/Mum/96 & 339/Mum/96.  
 Technology Information Forecasting Assessment Council.—530/Mum/96.  
 Themis Chemical Ltd.—445/Mum/96 & 446/Mum/96.  
 Tudor India Ltd.—527/Mum/96.  
 Trinova GmbH.—627/Mum/96.

## "U"

United Metachem Pvt. Ltd.—411/Mum/96 & 489/Mum/96.  
 Untiedt, D. F.—589/Mum/96.

## "V"

V I P Industries Ltd.—585/Mum/96.  
 Valco Instruments Co. Inc.—342/Mum/96.  
 Varads, S. U. (Mrs.)—556/Mum/96.  
 Varghese, W.—466/Mum/96.  
 Velmor Home Decor Pvt. Ltd.—430/Mum/96.  
 Vitara Chemicals Ltd.—586/Mum/96.

## "Y"

Yeda Research & Development Co. Ltd.—612/Mum/96.

## "Z"

Z M S, LLC—521/Mum/96.  
 Zalavadia, K. (Mrs.)—409/Mum/96.

## MADRAS

(1147/Mas/96 to 2386/Mas/96).

3 Com Corpn.—1813/Mas/96.

S 3, Inc.—1284/Mas/96.

## "A"

A Ahlstrom Corporation—12-13/Mas/96, 2360/Mas/96 & 2361/Mas/96.  
 A B B Flakt AB.—1850/Mas/96 & 2095/Mas/96.  
 A B B Kraft AS.—1528/Mas/96.  
 A B B Management AG.—1266/Mas/96, 1580/Mas/96, 1609/Mas/96, 1610/Mas/96, 1611/Mas/96, 1612/Mas/96, 1724/Mas/96, 1725/Mas/96, 1977/Mas/96 & 1986/Mas/96.  
 A C E K Computer Co. Ltd.—1789/Mas/96.

"A"

"B"

- A. E. C. I Ltd.—1954/Mas/96.
- A. I. Labs Inc.—1863/Mas/96.
- A. K. Technical Laboratory, Inc.—1245/Mas/96, 1427/Mas/96, 1709/Mas/96, 1710/Mas/96 & 2100/Mas/96.
- A. K. Z. O. Nobel N.V.—1167/Mas/96, 1338/Mas/96, 1834/Mas/96, 1866/Mas/96, 1887/Mas/96, 1894/Mas/96, 1900/Mas/96, 1921/Mas/96, 2069/Mas/96, 2175/Mas/96, 2251/Mas/96 & 2253/Mas/96.
- ASEA Brown Boveri AG.—1918/Mas/96, 2019/Mas/96, 2066/Mas/96, 2106/Mas/96, 2216/Mas/96 & 2289/Mas/96.
- A. S. K. Corporation—1186/Mas/96.
- A. S. T. Research Inc.—1173/Mas/96, 1174/Mas/96, 1175/Mas/96, 1768/Mas/96, 1769/Mas/96, 2115/Mas/96 & 2116/Mas/96.
- AT & T Corp.—1153/Mas/96, 1592/Mas/96, 2031/Mas/96, 2358/Mas/96 & 2359/Mas/96.
- AT & T Wireless Services Inc.—2096/Mas/96 & 2250/Mas/96.
- Advanced Extraction Technologies Inc.—1879/Mas/96.
- Advanced Safe Sustainable Energy Technology Ltd.—2040/Mas/96.
- Affinity Chromatography Ltd.—1654/Mas/96.
- Agarwal, S. (Dr.)—2245/Mas/96.
- Agouron Pharmaceuticals Inc.—1674/Mas/96, 1675/Mas/96 & 2294/Mas/96.
- Ahlstrom Machinery Corporation—1593/Mas/96, 1687/Mas/96 & 1837/Mas/96.
- Air Boss Tyres Pvt. Ltd.—2080/Mas/96.
- Air Products and Chemicals Inc.—1815/Mas/96 & 1861/Mas/96.
- Ajinomoto Co. Inc.—2244/Mas/96.
- Allied Colloids Ltd.—2374/Mas/96 & 2375/Mas/96.
- Allirajan, S. A. R. N.—1147/Mas/96, 1337/Mas/96, 2267/Mas/96, 2268/Mas/96 & 2269/Mas/96.
- Aluminium Pechiney—1293/Mas/96.
- Alusuisse Technology & Management Ltd.—2088/Mas/96 & 2369/Mas/96.
- American Schack Co. Inc.—2112/Mas/96.
- Amsted Industries Inc.—2033/Mas/96.
- Amway Corporation—2118/Mas/96.
- Anadrill International S. A.—2170/Mas/96.
- Anderson, J. C.—2218/Mas/96.
- Andiappan, M.—1250/Mas/96, 1251/Mas/96, 1252/Mas/96, 1940/Mas/96, 1941/Mas/96, 1942/Mas/96, 1943/Mas/96 & 1989/Mas/96.
- Andrew, V. G.—1343/Mas/96.
- Aplicator System AB.—1765/Mas/96.
- Appachan.—1620/Mas/96, 2291/Mas/96 & 2292/Mas/96.
- Aro Electrical Engineering Co. Ltd.—1787/Mas/96.
- Ascometal.—1949/Mas/96 & 2157/Mas/96.
- Asom Engineering Inc.—1445/Mas/96.
- Asturiana De Aino.—1670/Mas/96.
- Atoma International Inc.—1678/Mas/96.
- Ausmelt Ltd.—2208/Mas/96 & 2334/Mas/96.
- Ayant-Garde Engineers and Consultants (P) Ltd.—1722/Mas/96.
- Ayyithurai, R.C.S.C.P.C.—1455/Mas/96.
- B. A. S. F. AG.—1231/Mas/96, 1238/Mas/96, 1246/Mas/96, 1344/Mas/96, 1356/Mas/96, 1375/Mas/96, 1379/Mas/96, 1380/Mas/96, 1414/Mas/96, 1415/Mas/96, 1416/Mas/96, 1417/Mas/96, 1418/Mas/96, 1419/Mas/96, 1422/Mas/96, 1432/Mas/96, 1433/Mas/96, 1434/Mas/96, 1458/Mas/96, 1483/Mas/96, 1485/Mas/96, 1506/Mas/96, 1512/Mas/96, 1513/Mas/96, 1514/Mas/96, 1515/Mas/96, 1516/Mas/96, 1529/Mas/96, 1546/Mas/96, 1547/Mas/96, 1572/Mas/96, 1573/Mas/96, 1583/Mas/96, 1584/Mas/96, 1585/Mas/96, 1591/Mas/96, 1595/Mas/96, 1662/Mas/96, 1700/Mas/96, 1754/Mas/96, 1755/Mas/96, 1808/Mas/96, 1824/Mas/96, 1829/Mas/96, 1840/Mas/96, 1842/Mas/96, 1864/Mas/96, 1905/Mas/96, 1914/Mas/96, 1936/Mas/96, 1976/Mas/96, 1979/Mas/96, 2018/Mas/96, 2058/Mas/96, 2126/Mas/96, 2127/Mas/96, 2128/Mas/96, 2140/Mas/96, 2160/Mas/96, 2161/Mas/96, 2162/Mas/96, 2163/Mas/96, 2204/Mas/96, 2205/Mas/96, 2206/Mas/96, 2219/Mas/96, 2224/Mas/96, 2225/Mas/96, 2240/Mas/96, 2317/Mas/96, 2341/Mas/96, 2342/Mas/96 & 2343/Mas/96.
- B.A.S.F. Corporation.—1307/Mas/96, 2314/Mas/96 & 2321/Mas/96.
- B.H.P. Minerals International Inc.—2368/Mas/96.
- B.H.R. Group Ltd.—2348/Mas/96.
- B. O. C. Group Plc.—1817/Mas/96.
- Babcock Lamptjes Kraftwerkstechnik GmbH.—1170/Mas/96 & 1693/Mas/96.
- Babu, B. R.—1225/Mas/96.
- Badrinath, R.—1679/Mas/96.
- Badsha K. M.—1906/Mas/96.
- Bakron Corporation—1364/Mas/96.
- Balagopal, C.—1315/Mas/96 & 1316/Mas/96.
- Balan, K. V.—1806/Mas/96.
- Ballad Investment N. V.—1990/Mas/96.
- Balu, K. S.—1235/Mas/96.
- Banda, V. R. K. (Dr.)—1248/Mas/96.
- Barnier, B. A.—1851/Mas/96.
- Becker, M. C.—2296/Mas/96.
- Bellad, S. G.—1607/Mas/96.
- Bellambie Mining and Industrial Ltd.—2177/Mas/96 & 2178/Mas/96.
- Belson, J. R.—2304/Mas/96.
- Berwind Pharmaceutical Services Inc.—1749/Mas/96 & 1750/Mas/96.
- Bhanumathidas, N.—1425/Mas/96 & 2023/Mas/96.
- Billing, E. (NMN)—2296/Mas/96, 2297/Mas/96, 2300/Mas/96 & 2302/Mas/96.
- Biocon India Ltd. M/s.—2200/Mas/96 & 2201/Mas/96.
- Biocon India Pvt. Ltd.—2260/Mas/96.
- Biotec Biologische Naturverpackungen GmbH & Co.—1704/Mas/96.
- Boots Co. Plc. The—1544/Mas/96.
- Boss Profiles Ltd.—2110/Mas/96.
- Bracco S.P.A.—1308/Mas/96, 1327/Mas/96 & 1613/Mas/96.
- Bracker AG.—2362/Mas/96.
- Braco N. V.—1589/Mas/96.
- Brandt, A. B.—1348/Mas/96.
- Britannia Industries Ltd.—2236/Mas/96.
- British American Tobacco Co. Ltd.—1972/Mas/96.
- British Gas Plc.—2320/Mas/96.
- British Telecommunications Plc.—1244/Mas/96, 1264/Mas/96, 1280/Mas/96, 1285/Mas/96, 1287/Mas/96, 1307/Mas/96, 1336/Mas/96, 1394/Mas/96, 1395/Mas/96, 1396/Mas/96, 1484/Mas/96, 1527/Mas/96, 1728/Mas/96, 1756/Mas/96, 1784/Mas/96, 1827/Mas/96, 1838/Mas/96, 1953/Mas/96, 2067/Mas/96, 2179/Mas/96, 2211/Mas/96, 2323/Mas/96 & 2329/Mas/96.



## "B"

Bryant, D. R.—2295/Mas/96, 2296/Mas/96, 2297/Mas/96, 2298/Mas/96, 2299/Mas/96, 2300/Mas/96, 2301/Mas/96, 2302/Mas/96, 2303/Mas/96 & 2304/Mas/96.  
 Bunning, D. L.—2296/Mas/96 & 2301/Mas/96.

## "C"

C I B, Inc.—1363/Mas/96.  
 C M S Computers Ltd.—1243/Mas/96.  
 C P C International Inc.—1183/Mas/96, 1197/Mas/96, 2055/Mas/96, 2238/Mas/96 & 2239/Mas/96.  
 Cabot Corporation.—2062/Mas/96 & 2063/Mas/96.  
 Caldyn Inc.—1532/Mas/96.  
 Canon Kabushiki Kaisha.—1241/Mas/96, 1295/Mas/96 & 1374/Mas/96.  
 Caradon MK Electric Ltd.—1996/Mas/96.  
 Caredent Ltd.—2353/Mas/96.  
 Carmichael, R. E.—1682/Mas/96.  
 Carmaudmetalbox N. V.—2154/Mas/96.  
 Casoo Products AB.—1205/Mas/96.  
 Caterpillar Inc.—1256/Mas/96.  
 Cellular Telecom Inc.—1845/Mas/96.  
 Cerasiv GmbH.—2228/Mas/96.  
 Cerberus AG.—1792/Mas/96 & 2242/Mas/96.  
 Chairman, C.S.I.R.—1568/Mas/96.  
 Chandrahasan, U.—1806/Mas/96 & 2214/Mas/96.  
 Chandrasekar, H. K.—2324/Mas/96.  
 Chao, R. 1831/Mas/96.  
 Chary, T. B.—1929/Mas/96 & 1982/Mas/96.  
 Chemferm V. O. F.—2211/Mas/96.  
 Cheminova Agro A/S.—1542/Mas/96.  
 Chemo-Serotherapeutic Research Institute.—2139/Mas/96.  
 Cheng, C.—1535/Mas/96.  
 Chen, J. H.—2381/Mas/96 & 2382/Mas/96.  
 Chen, Y.—2346/Mas/96.  
 Chevron U.S.A. Inc.—1218/Mas/96, 1801/Mas/96 & 2028/Mas/96.  
 Chicago Metallic Continental N.V.—1292/Mas/96, 1385/Mas/96, 1386/Mas/96 & 1680/Mas/96.  
 Chimitec S.A.R.L.—1736/Mas/96.  
 Ciba-Geigy AG.—1182/Mas/96, 1210/Mas/96, 1211/Mas/96, 1489/Mas/96, 1500/Mas/96, 1719/Mas/96, 1912/Mas/96, 2143/Mas/96, 2144/Mas/96, 2145/Mas/96, 2146/Mas/96, & 2264/Mas/96.  
 Clariant Finance (BVI) Ltd.—2142/Mas/96.  
 Class Kommanditgesellschaft Auf Aktien—1357/Mas/96.  
 Clextal.—2081/Mas/96.  
 Cohesive Technologies Inc.—1974/Mas/96.  
 Comalco Aluminium Ltd.—1234/Mas/96 & 1919/Mas/96.  
 Compaq Computer Corporation—2365/Mas/96.  
 Congulem Corporation.—1774/Mas/96.  
 Consortium Fur Elektrochemische Industries GmbH.—1747/Mas/96.  
 Continental AG.—1571/Mas/96.  
 4—247 GI/99

## "C"

Corning Ltd.—1206/Mas/96.  
 Creative Integration & Design, Inc.—2042/Mas/96.  
 Cropley, J. B.—1682/Mas/96.  
 Crosby Valve & Gage Co.—1802/Mas/96.

## "D"

D'Cruz, Y.K.C.—1558/Mas/96.  
 D. S. Industrial Corporation Pvt. Ltd.—1148/Mas/96.  
 D S M N. V.—1255/Mas/96, 1423/Mas/96, 1775/Mas/96, 1907/Mas/96 & 2102/Mas/96.  
 Daewoo Electronics Co. Ltd.—1162/Mas/96, 1313/Mas/96, 1321/Mas/96, 1322/Mas/96, 1337/Mas/96, 1333/Mas/96, 1334/Mas/96, 1335/Mas/96, 1342/Mas/96, 1408/Mas/96, 1468/Mas/96, 1503/Mas/96, 1504/Mas/96, 1058/Mas/96, 1523/Mas/96, 1524/Mas/96, 1525/Mas/96, 1630/Mas/96, 1631/Mas/96, 1632/Mas/96, 1633/Mas/96, 1685/Mas/96, 1686/Mas/96, 1717/Mas/96, 1807/Mas/96, 1857/Mas/96, 1888/Mas/96, 1889/Mas/96, 1915/Mas/96, 2090/Mas/96 & 2135/Mas/96.  
 Daihen Corporation.—1646/Mas/96.  
 Daiichi Pharmaceutical Co. Ltd.—1960/Mas/96.  
 Dana Corporation—1406/Mas/96, 1786/Mas/96, 1999/Mas/96, 2188/Mas/96 & 2189/Mas/96.  
 Dasan, V. K. K.—2133/Mas/96.  
 Dess, N. R.—1648/Mas/96.  
 Devasahayam, P.—2338/Mas/96.  
 Dispensing Containers Corporation.—1309/Mas/96.  
 Donahue, J.R.—2125/Mas/96.  
 Dow Chemical Co. The.—1222/Mas/96, 1223/Mas/96, 1732/Mas/96, 1816/Mas/96, 1848/Mas/96, 1881/Mas/96, 1882/Mas/96, 1883/Mas/96, 1988/Mas/96, 2015/Mas/96, 2023/Mas/96, 2071/Mas/96, 2104/Mas/96, 2327/Mas/96, 2328/Mas/96 & 2380/Mas/96.  
 Dr. Reddy's Research Foundation.—1149/Mas/96 & 1150/Mas/96.  
 Dudley John Travers Knight.—2039/Mas/96.  
 Dunphy, J. F.—1971/Mas/96.  
 Duphar International Research B. V.—2367/Mas/96.  
 Dyneon GmbH.—2191/Mas/96.

## "E"

E C C International Inc.—1502/Mas/96, 1852/Mas/96, 1853/Mas/96 & 1854/Mas/96.  
 E I D Parry (India) Ltd.—1896/Mas/96.  
 E K A Chemicals AB.—1204/Mas/96.  
 E L F Atochem S. A.—1215/Mas/96, 1216/Mas/96, 1282/Mas/96 & 1978/Mas/96.  
 Ebara Corporation.—2124/Mas/96.  
 Ebara Solar, Inc.—1317/Mas/96 & 1764/Mas/96.  
 Eduard Kusters Maschinenfabrik GmbH & Co. KG.—1498/Mas/96.  
 Edward Mendll Co. Inc.—1955/Mas/96 & 2036/Mas/96.  
 Eisenschmid, T. C.—2297/Mas/96 & 2301/Mas/96.  
 Ekambaram, O. P.—1706/Mas/96.  
 Elanchezhivan, N.—1184/Mas/96, 2277/Mas/96, 2278/Mas/96, 2279/Mas/96, 2280/Mas/96, 2281/Mas/96 & 2282/Mas/96.  
 Electronics Research & Development Centre.—1454/Mas/96, 1617/Mas/96 & 2339/Mas/96.

## "E"

Electro-Thermit GmbH.—2283/Mas/96.  
 Elco Ltd.—1846/Mas/96 & 1847/Mas/96.  
 Elisabetta, R.—1228/Mas/96.  
 Enamelon Inc.—1412/Mas/96 & 2004/Mas/96.  
 Energy Bio Systems Corporation.—1185/Mas/96 & 1449/Mas/96.  
 Engelhard De Meern B. V.—1239/Mas/96.  
 Enichem Elastomeri S. R. L.—1242/Mas/96, 1550/Mas/96 & 1551/Mas/96.  
 Enichem S. P. A.—1461/Mas/96, 1804/Mas/96, 1869/Mas/96 & 2184/Mas/96.  
 Ensign-Rickford Co., The—1980/Mas/96.  
 Esselte N.V.—2117/Mas/96.  
 Eotec Lauder, Inc.—1596/Mas/96.  
 Excel Machine Tools Pvt. Ltd.—1298/Mas/96.  
 Exedy Corporation—1276/Mas/96  
 Exergy Inc.—1833/Mas/96.

## "F"

F. Hoffmann La Roche AG.—1160/Mas/96, 1426/Mas/96, 1533/Mas/96, 1534/Mas/96, 1810/Mas/96, 1839/Mas/96, 1920/Mas/96, 2065/Mas/96, 2231/Mas/96, 2234/Mas/96 & 2294/Mas/96.  
 F. L. Smidth & Co. A/S.—1161/Mas/96.  
 Fabio Perini S.P.A.—2047/Mas/96.  
 Fernandez, A.—2085/Mas/96, 2086/Mas/96 & 2259/Mas/96.  
 Fertilisers & Chemicals Travancore Ltd., The—1413/Mas/96 & 1871/Mas/96.  
 Fichtel & Sachs AG.—1594/Mas/96.  
 Fischerwerke Artur Fischer GmbH & Co. KG.—1367/Mas/96 & 1560/Mas/96.  
 Flying Null Ltd.—1748/Mas/96.  
 Focke & Co.—1981/Mas/96 & 2070/Mas/96.  
 Fordham University—1597/Mas/96, 1637/Mas/96 & 1638/Mas/96.  
 Fosco International Ltd.—1253/Mas/96.  
 Fosroc International Ltd.—1368/Mas/96.  
 Foster Wheeler Energia Oy.—1993/Mas/96.  
 Framatome—1505/Mas/96.  
 Fructamine S P A—1552/Mas/96.

## "G"

G. O. R. Applicazioni Speciali S.P.A.—1424/Mas/96.  
 Ganesh, R. B.—1463/Mas/96 & 1464/Mas/96.  
 Garfield International Investments Ltd.—2258/Mas/96.  
 George, B. M.—2223/Mas/96.  
 Gersan Establishment—1265/Mas/96, 1303/Mas/96 & 1304/Mas/96.  
 Globalstar L. P.—1209/Mas/96.  
 Goldschmid Pty. Ltd.—2233/Mas/96.  
 Gopalakrishnan, S.—2213/Mas/96.  
 Gopalakrishnan, S.P.—2383/Mas/96.  
 Grand Haven Stamped Products—1254/Mas/96 & 1388/Mas/96.  
 Guala S.P.A.—1158/Mas/96.  
 Guido, P.—1228/Mas/96.

## "H"

Haldor Topsoe A/S.—1196/Mas/96.  
 Harrier Technologies, Inc.—1163/Mas/96.  
 Helix Biotech Pvt. Ltd. M/s.—2202/Mas/96 & 2203/Mas/96.  
 Hellsten, M.—1559/Mas/96.  
 Hemachander, R.—1351/Mas/96.  
 Henkel Corporation—1219/Mas/96, 1220/Mas/96, 1221/Mas/96, 1283/Mas/96, 1429/Mas/96, 1430/Mas/96, 1519/Mas/96, 1683/Mas/96, 1927/Mas/96, 2136/Mas/96, 2176/Mas/96, 2193/Mas/96 & 2198/Mas/96.  
 Henkel Ecolab GmbH & Co. OHG.—2155/Mas/96.  
 Henkel Kommanditgesellschaft Auf Aktien—1447/Mas/96, 1448/Mas/96, 1476/Mas/96, 1507/Mas/96, 2074/Mas/96, 2190/Mas/96 & 2199/Mas/96.  
 Herakus Sensor GmbH.—1346/Mas/96.  
 Hf, O.—2014/Mas/96.  
 High Pressure Gas Safety Institute of Japan, The—1826/Mas/96.  
 Hitachi Ltd.—2183/Mas/96 & 2255/Mas/96.  
 Hitachi Zosen Corporation—2130/Mas/96.  
 Hi-Tech Carbons and Engineering Pvt. Ltd. M/S.—1760/Mas/96.  
 Hoechst AG.—1267/Mas/96, 1268/Mas/96, 1360/Mas/96, 1531/Mas/96, 1539/Mas/96, 1540/Mas/96, 1579/Mas/96, 1665/Mas/96, 1666/Mas/96, 1689/Mas/96, 1690/Mas/96, 1723/Mas/96, 1744/Mas/96, 1745/Mas/96, 1746/Mas/96, 1777/Mas/96, 1865/Mas/96, 1877/Mas/96, 2119/Mas/96, 2138/Mas/96, 2172/Mas/96, 2173/Mas/96, 2275/Mas/96, 2330/Mas/96, 2331/Mas/96, 2349/Mas/96, 2384/Mas/96 & 2385/Mas/96.  
 Hoechst Schering Agrevo GmbH.—2016/Mas/96, 2017/Mas/96 & 2089/Mas/96.  
 Hoechst Trevira GmbH & Co. KG.—1240/Mas/96, 1771/Mas/96, 1772/Mas/96 & 1773/Mas/96.  
 Holland Sweetener Co.—1730/Mas/96.  
 Hollingsworth & Vose Co.—1655/Mas/96.  
 Honda Giken Kogyo Kabushiki Kaisha—1271/Mas/96, 1667/Mas/96, 1691/Mas/96, 1932/Mas/96, 1963/Mas/96, 1964/Mas/96, 2022/Mas/96 & 2111/Mas/96.  
 Hoogovens Staal B.V.—1262/Mas/96, 1759/Mas/96 & 2333/Mas/96.  
 Hoogovens Technical Services Energy & Environment B.V.—1954/Mas/96.  
 Huls AG.—1217/Mas/96 & 2217/Mas/96.  
 Hultenes + Alberts Chemische Werke GmbH—1916/Mas/96.  
 Hutchinson—1281/Mas/96.

## "I"

I C O Services Ltd.—2290/Mas/96.  
 I M—Ching Machinery Co. Ltd.—2131/Mas/96.  
 I T W Signode India Ltd.—1783/Mas/96.  
 Ictop Entwicklungs GmbH.—1467/Mas/96.  
 Idemitsu Kosan Co. Ltd.—1180/Mas/96.  
 Idemitsu Petrochemical Co. Ltd.—1331/Mas/96 & 1651/Mas/96.  
 Indian Institute of Science—1192/Mas/96.  
 Indian Institute of Technology—1737/Mas/96, 1738/Mas/96, 1997/Mas/96 & 2134/Mas/96.  
 Indian Space Research Organization—1731/Mas/96 & 2237/Mas/96.  
 India Precision Bearing Manufacturers Ltd.—1931/Mas/96.  
 Innoflex Inc.—1387/Mas/96.

Institut Francais Du Petrole—1288/Mas/96, 1312//Mas/96, 1553/Mas/96, 1563/Mas/96, 1653/Mas/96, 1727/Mas/96, 1856/Mas/96, 2041/Mas/96 & 2345/Mas/96.

Intelligent Devices Inc.—1684/Mas/96.

International Business Machine Corporation—1361/Mas/96, 1362/Mas/96, 1381/Mas/96, 1450/Mas/96, 1451/Mas/96, 1465/Mas/96, 1740/Mas/96, 1741/Mas/96, 1742/Mas/96, 1795/Mas/96, 1796/Mas/96, 1811/Mas/96, 1812/Mas/96, 1876/Mas/96, 1923/Mas/96, 1924/Mas/96, 2007/Mas/96, 2032/Mas/96, 2035/Mas/96, 2049/Mas/96, 2050/Mas/96, 2060/Mas/96, 2061/Mas/96, 2091/Mas/96, 2092/Mas/96, 2103/Mas/96 & 2271/Mas/96.

International Mobile Satellite Organization—1329/Mas/96, 1945/Mas/96, 1952/Mas/96 & 2132/Mas/96.

Ispiro Ricerca S.R.L.—2316/Mas/96.

Ishihara, K.—2363/Mas/96.

### "J"

Jannetta, P. J.—1751/Mas/96.

Japan Exlan Co. Ltd.—1407/Mas/96.

Japan Tobacco Inc.—1457/Mas/96, 1615/Mas/96, 1674/Mas/96, 1675/Mas/96 & 1967/Mas/96.

Jenaer Glaswerk GmbH.—1482/Mas/96.

John, P.—1277/Mas/96.

Jones, W. E. M.—2284/Mas/96.

Joseph, A. E.—1471/Mas/96.

Juridical Foundation—2139//Mas/96.

### "K"

K C I Konecranes International Oy—1460/Mas/96.

K. M. Textile Engineering Products Ltd.—2310/Mas/96 & 2311/Mas/96.

Kabushiki Kaisha Toshiba—1614/Mas/96, 2183/Mas/96, 2255/Mas/96, 2354/Mas/96 & 2373/Mas/96.

Kabushiki Kaisha Toyoda Jidoshokki Seiskusho.—2120/Mas/96.

Kaiser Aluminium & Chemical Corporation.—1647/Mas/96.

Kalidas, N.—1425/Mas/96 & 2023/Mas/96.

Kanpatsu Kooyo Co. Ltd.—2120/Mas/96.

Kao, C.—2272/Mas/96.

Karalikadan, M.—1698/Mas/96.

Kassman, L. B.—1456/Mas/96.

Katsu Mfg. Co.—1608/Mas/96.

Keller, G. E.—1682/Mas/96.

Kimberly-Clark Corporation.—1278/Mas/96, 1495/Mas/96, 1891/Mas/96, 1892/Mas/96, 1934/Mas/96, 1935/Mas/96, 2029/Mas/96, 2030/Mas/96, 2137/Mas/96, 2153/Mas/96, 2276/Mas/96 & 2347/Mas/96.

Kimberly-Clark Tissue Co.—1819/Mas/96.

Kirsten AG.—1965/Mas/96.

Kiwi TTK Ltd.—1897/Mas/96 & 1898/Mas/96.

Knelson, B. V.—1237/Mas/96.

Knights Tehcnology Inc.—1543/Mas/96.

Knoll AG.—1229/Mas/96 & 1230/Mas/96.

Koei Chemical Co. Ltd.—1286/Mas/96.

Koito Mfg. Co. Ltd.—2000/Mas/96 & 2182/Mas/96.

Korea Research Institute of Chemical Technology.—2252/Mas/96.

Koumandarakis, S.—1859/Mas/96.

Kreiselmaier, E. (DIPL—ING).—2105/Mas/96.

Kubota Corporation—1788/Mas/96.

Kumar, B. P.—1944/Mas/96.

Kumar, M. V.—1903/Mas/96, 1904/Mas/96 & 1998/Mas/96.

Kummer, H.—1384/Mas/96.

Kuraray Co. Ltd.—1590/Mas/96 & 1917/Mas/96.

Kurland, A. J. J.—1851/Mas/96.

Kurungodan, L.—2011/Mas/96.

Kvaerner Engineering A. S.—1168/Mas/96 & 1169/Mas/96.

Kyoya Chemical Industry Co. Ltd.—2194/Mas/96.

Kyowa Electric & Chemical Co.—1564/Mas/96.

### "L"

L T V Steel Co. Inc.—1805/Mas/96.

Lakshmi Machine Works Ltd.—1397/Mas/96, 2107/Mas/96, 2108/Mas/96, 2109/Mas/96 & 2232/Mas/96.

Lear Corporation.—1962/Mas/96.

Leonardo Investments Ltd.—1570/Mas/96.

Leung, T. W.—2295/Mas/96, 2297/Mas/96 & 2298/Mas/96.

Lewellin, R. L.—1753/Mas/96.

Life Resuscitation Technologies Inc.—2195/Mas/96 & 2266/Linde AG.—1263/Mas/96, 2072/Mas/96 & 2243/Mas/96.

Lonappan, P.O.—2305/Mas/96.

Lonza AG.—1803/Mas/96.

Loral Aerospace Corporation.—1581/Mas/96.

Lucas Industries Public Ltd. Co.—1481/Mas/96, 1567/Mas/96 & 2325/Mas/96.

### "M"

M A N Gutehoffnungshutte AG.—1598/Mas/96.

M O L Magyar Olajes Gaziperi Resz-Venyatarsasag.—2082/Mas/96.

Macgregor-Conver GmbH.—2262/Mas/96.

Macropharm Gesellschaft Fur Pharmazeutische Und Diagnostische Praparte mbH.—1377/Mas/96.

Magneti Marelli S.P.A.—2312/Mas/96 & 2313/Mas/96.

Mainetti (UK) Ltd.—1206/Mas/96 & 1673/Mas/96.

Malladj Project Management Centre Pvt. Ltd.—1930/Mas/96.

Mandiappan.—1249/Mas/96.

Mani, P.—1752/Mas/96.

Mannesmann AG.—1352/Mas/96, 1491/Mas/96, 1694/Mas/96, 1733/Mas/96 & 2020/Mas/96.

Mian Takraf Fordertechnik GmbH.—2235/Mas/96.

Margulead Ltd.—2377/Mas/96 & 2378/Mas/96.

Maschinenfabrik Reinhausen GmbH.—1353/Mas/96 & 2335/Mas/96.

Maschinenfabrik Rieter AG.—1155/Mas/96, 1156/Mas/96, 1260/Mas/96, 1492/Mas/96, 1499/Mas/96, 1511/Mas/96, 1664/Mas/96, 1941/Mas/96, 1874/Mas/96, 1968/Mas/96, 1970/Mas/96, 2010/Mas/96, 2073/Mas/96, 2171/Mas/96 & 2249/Mas/96.

Matex Co. Ltd.—2227/Mas/96.

Mathur, P. B.—1166/Mas/96.

Matsushita Electric Industrial Co. Ltd.—1644/Mas/96, 1645/Mas/96, 1712/Mas/96, 1713/Mas/96, 1714/Mas/96, 1715/Mas/96, 1716/Mas/96, 1779/Mas/96, 1825/Mas/96, 1826/Mas/96, 2183/Mas/96 & 2255/Mas/96.

"M"

Medical Science Systems, Inc.—1372/Mas/96.  
 Megladon Industries.—2286/Mas/96.  
 Manne, D. M.—2045/Mas/96.  
 Messer Griesheim GmbH.—2057/Mas/96.  
 Methanol Casale S.A.—1376/Mas/96 & 2012/Mas/96.  
 Millennium Pharmaceuticals Inc.—1157/Mas/96.  
 Minnesota Mining and Mfg. Co.—1258/Mas/96, 1319/Mas/96, 1404/Mas/96, 1405/Mas/96, 1501/Mas/96, 2151/Mas/96, 2152/Mas/96, 2197/Mas/96 & 2315/Mas/96.  
 Mintek.—1569/Mas/96.  
 Mitsubishi Denki Kabushiki Kaisha.—1291/Mas/96, 1452/Mas/96, 1729/Mas/96, 1781/Mas/96, 1823/Mas/96, 2037/Mas/96, 2273/Mas/96 & 2274/Mas/96.  
 Mitsubishi Jukogyo Kabushiki Kaisha.—2241/Mas/96.  
 Mitsui Petrochemical Industries Ltd.—1913/Mas/96.  
 Miyachi Technos Corporation.—1373/Mas/96 & 1635/Mas/96.  
 Mobil Oil Corporation.—1890/Mas/96, 1946/Mas/96 & 2068/Mas/96.  
 Mohanan, K. K.—2148/Mas/96.  
 Monsanto Co.—1561/Mas/96 & 1933/Mas/96.  
 Montell North America Inc.—1301/Mas/96.  
 Moore Products Co.—1299/Mas/96.  
 Morison, D.L.—2301/Mas/96.  
 Multipliers Ltd.—2123/Mas/96.  
 Murray, R. E.—1699/Mas/96.  
 Murthy, R. E.—1699/Mas/96.  
 Murthy, K. S.—1621/Mas/96, 1622/Mas/96, 1623/Mas/96, 1624/Mas/96, 1625/Mas/96, 1626/Mas/96, 1627/Mas/96, 1628/Mas/96 & 1629/Mas/96.  
 Murugesan, V. M.—1269/Mas/96.  
 Mylex Corporation.—2263/Mas/96.

"N"

N E C Corporation.—1270/Mas/96, 1330/Mas/96, 1345/Mas/96, 1884/Mas/96, 1885/Mas/96, 1910/Mas/96, 2101/Mas/96 & 2181/Mas/96.  
 N S K Warner K. K.—2288/Mas/96.  
 N T N Corporation.—2351/Mas/96.  
 Nair, A. K. V.—1640/Mas/96.  
 Nambi, C. K. A.—2308/Mas/96.  
 Nasseti Ettore S.P.A.—1832/Mas/96.  
 Nayar, M. V.—1618/Mas/96.  
 Necchi Compressori S.P.A.—1224/Mas/96.  
 Neethichamy, C.—1928/Mas/96.  
 New Zealand Dairy Board.—2379/Mas/96.  
 Nicholson, J. C.—2296/Mas/96, 2297/Mas/96, 2299/Mas/96, 2300/Mas/96, 2301/Mas/96, 2303/Mas/96 & 2304/Mas/96.  
 Nihon Nohyaku Co. Ltd.—1398/Mas/96.  
 Nippon Shokubai Co. Ltd.—2371/Mas/96.  
 Nippon Steel Corporation.—1530/Mas/96.  
 Nokia Mobile Phones Ltd.—1830/Mas/96.  
 Nokia Telecommunications Oy.—2226/Mas/96, 2285/Mas/96, 2364/Mas/96 & 2372/Mas/96.  
 North Star Technologies Ltd.—2056/Mas/96.  
 Norton Co.—1257/Mas/96, 1435/Mas/96, 1766/Mas/96, 1776/Mas/96, 1984/Mas/96, 1985/Mas/96 & 1995/Mas/96.

"N"

Norton Reformation Plastics Corporation.—1657/Mas/96.  
 Novo Nordisk A/S.—1151/Mas/96, 1152/Mas/96, 1188/Mas/96, 1200/Mas/96, 1208/Mas/96, 1226/Mas/96, 1247/Mas/96, 1279/Mas/96, 1438/Mas/96, 1462/Mas/96, 1641/Mas/96, 1642/Mas/96, 1654/Mas/96, 1659/Mas/96, 1660/Mas/96, 1661/Mas/96, 1681/Mas/96, 1767/Mas/96, 1893/Mas/96, 1947/Mas/96, 1983/Mas/96, 2024/Mas/96, 2149/Mas/96, 2150/Mas/96, 2207/Mas/96, 2256/Mas/96, 2265/Mas/96, 2287/Mas/96, 2332/Mas/96, 2337/Mas/96, 2340/Mas/96, 2374/Mas/96 & 2375/Mas/96.  
 Novo Nordisk Biochem of North America Inc.—2319/Mas/96.  
 Novo Nordisk Biotech Inc.—1459/Mas/96 & 1521/Mas/96.

"O"

O'Hare, P. F. J.—1328/Mas/96.  
 Orad Hi-Tec System Ltd.—1574/Mas/96, 1575/Mas/96, 1576/Mas/96 & 1577/Mas/96.  
 Organ Inc.—2196/Mas/96.  
 Osmania University.—1556/Mas/96 & 1557/Mas/96.  
 Otsuka Pharmaceutical Co. Ltd.—1735/Mas/96 & 2121/Mas/96.  
 Otto Eckerle.—1526/Mas/96.

"P"

P S I Telecommunications, Inc.—1663/Mas/96.  
 Palitex Project Co. GmbH.—1868/Mas/96 & 2322/Mas/96.  
 Panerselvam P, (Dr.)—1201/Mas/96.  
 Panduit Corporation.—1701/Mas/96, 2210/Mas/96, 2270/Mas/96, & 2306/Mas/96.  
 Paramsivam, S.—2186/Mas/96 & 2187/Mas/96.  
 Pechiney Rhenalu—1326/Mas/96.  
 Pilkington Plc.—1300/Mas/96 & 1843/Mas/96.  
 Pillai, G.P.R.—1806/Mas/96.  
 Pillai, G. R.—2214/Mas/96.  
 Pillai, P. P. S.—2307/Mas/96.  
 Pillai, S. S.—1236/Mas/96 & 1472/Mas/96.  
 Pioneer Electric Corporation.—2183/Mas/96 & 2255/Mas/96.  
 Polyol International B. V.—1849/Mas/96.  
 Pratap, P.—1272/Mas/96.  
 Premier Polytronics Ltd.—1189/Mas/96, 1190/Mas/96 & 1191/Mas/96.  
 Primavera Laboratories Inc.—1486/Mas/96.  
 Project Director, International Advanced Research Centre for Metallurgy and New Materials—1886/Mas/96.

"Q"

Quadrisc Ltd.—1490/Mas/96.  
 Qualcomm Inc.—1275/Mas/96, 1306/Mas/96, 1340/Mas/96, 1378/Mas/96, 1420/Mas/96, 1478/Mas/96, 1479/Mas/96, 1480/Mas/96, 1509/Mas/96, 1718/Mas/96, 2059/Mas/96, 2070/Mas/96, 2129/Mas/96, 2164/Mas/96, 2336/Mas/96, & 2357/Mas/96.

## "R"

R. Schmidt GmbH.—2053/Mas/96.  
 Rajan, S.—1350/Mas/96.  
 Rajasekaran, E.—1706/Mas/96.  
 Raju P. V. R.—1425/Mas/96 & 2023/Mas/96.  
 Raju, R. S. N.—1969/Mas/96.  
 Ramamurthy, A. V.—1682/Mas/96.  
 Ramar, P.—1828/Mas/96.  
 Ramu, K.—1903/Mas/96 & 1904/Mas/96.  
 Rand McNally & Co.—1187/Mas/96.  
 Rao, B. R.—1261/Mas/96.  
 Rao, G. D. K.—1650/Mas/96.  
 Rao, K. N.—1338/Mas/96 & 1339/Mas/96.  
 Rao, M. A.—1790/Mas/96 & 1791/Mas/96.  
 Rao, V. M.—1578/Mas/96.  
 Rao, Y. N. B. M.—1708/Mas/96.  
 Rathod, T. A.—2355/Mas/96.  
 Reckitt and Colmn Products Ltd.—1938/Mas/96 & 2386/Mas/96.  
 Reckitt and Colman S. A.—1643/Mas/96.  
 Reddy, L. C. (Sri)—2122/Mas/96.  
 Reel S. R. L.—1179/Mas/96 & 1325/Mas/96.  
 Regents of the University of California, The.—1757/Mas/96.  
 Reltec Corporation—1636/Mas/96.  
 Remote Metering Systems Ltd.—1178/Mas/96.  
 Resolution Technologies.—1305/Mas/96.  
 Revlon Consumer Products Corporation—1922/Mas/96.  
 Rexene Corporation—2167/Mas/96.  
 Rhone Merieux—1671/Mas/96.  
 Rhone-Poulenc Rorer S. A.—1987/Mas/96.  
 Rhone-Poulenc Chimie—2028/Mas/96.  
 Rieter Ingolstadt Spinner-eimaschinenbau AG.—1453/Mas/96.  
 Robert Bosch GmbH.—1198/Mas/96, 1199/Mas/96, 1421/Mas/96, 1466/Mas/96, 1692/Mas/96, 1780/Mas/96, 1858/Mas/96, 1895/Mas/96, 1966/Mas/96, 2048/Mas/96, 2052/Mas/96, 2064/Mas/96, 2094/Mas/96, 2114/Mas/96, 2168/Mas/96, 2229/Mas/96, 2344/Mas/96 & 2356/Mas/96.  
 Roitt, I. M.—1277/Mas/96.  
 Roke Manor Research Ltd.—1697/Mas/96.  
 Rosemount Inc.—1726/Mas/96 & 1797/Mas/96.  
 Rubbermaid Inc.—2118/Mas/96.  
 Rohrkohle AG.—2005/Mas/96.

## "S"

S M H Management Services AG.—1474/Mas/96.  
 S M S Schloemann-Siemag AG.—1273/Mas/96, 1441/Mas/96, 1477/Mas/96, 1487/Mas/96, 1668/Mas/96, 1818/Mas/96, 1948/Mas/96, 1961/Mas/96, 2008/Mas/96 & 2352/Mas/96.  
 S T C Submarine Systems Ltd.—1820/Mas/96, 1821/Mas/96 & 1822/Mas/96.  
 Sabapathi, N.T.—1658/Mas/96.  
 Sab Wabco Tebel Technologies.—1743/Mas/96.  
 Saes Getters S.P.A.—1274/Mas/96, 1991/Mas/96 & 1992/Mas/96.  
 Saint-Gobain/Norton Industrial Ceramics Corp.—1171/Mas/96, 1341/Mas/96, 1403/Mas/96 & 2003/Mas/96.

Sakamoto, Y.—1510/Mas/96.  
 Samsung Electronics Co. Ltd.—1440/Mas/96, 1442/Mas/96 & 1443/Mas/96.  
 Sandoz Ltd.—1172/Mas/96, 1259/Mas/96, 1294/Mas/96, 1439/Mas/96, 1587/Mas/96, 1799/Mas/96, 1994/Mas/96, 2026/Mas/96, 2038/Mas/96 & 2113/Mas/96.  
 Sandvik AB.—1676/Mas/96.  
 Sanofi—1908/Mas/96 & 2093/Mas/96.  
 Sanyo Chemical Industries Ltd.—1517/Mas/96.  
 Sanyo Electric Co. Ltd.—1469/Mas/96, 1470/Mas/96, 1522/Mas/96, 1541/Mas/96, 1711/Mas/96, 1860/Mas/96, 2075/Mas/96 & 2076/Mas/96.  
 Schlumberger Industries S. A.—1347/Mas/96, 1365/Mas/96 & 1366/Mas/96.  
 Schlumberger Industries S. A.—1696/Mas/96.  
 Schneider Electric S.A.—1181/Mas/96, 1428/Mas/96, 1703/Mas/96, 1814/Mas/96 & 2215/Mas/96.  
 Schneider Ltd.—1354/Mas/96.  
 Scimat Ltd.—2366/Mas/96.  
 Scovill Japan Kabushiki Kaisha—1369/Mas/96.  
 Sditech Ltd.—2054/Mas/96.  
 Sealed Air New Zealand Ltd.—2379/Mas/96.  
 Seethraman, S.—1616/Mas/96.  
 Sekhar, S.—2044/Mas/96.  
 Selvam, P.P. (Dr.)—2338/Mas/96.  
 Selvaraj, S.—1314/Mas/96.  
 Shahabudeen, A.—2223/Mas/96.  
 Shantha Bio Technics (P) Ltd.—1739/Mas/96.  
 Shaw, B. L.—2295/Mas/96.  
 Shell Internationale Research Maatschappij B. V.—1212/Mas/96, 1844/Mas/96, 1875/Mas/96, 1956/Mas/96, 1957/Mas/96, 1958/Mas/96, 2009/Mas/96 & 2156/Mas/96.  
 Shimedzu Corporation—1835/Mas/96.  
 Shukla, D.—2350/Mas/96.  
 Silver, B. S.—1431/Mas/96.  
 Simantov, A.—1973/Mas/96.  
 Simone, Z.—1228/Mas/96.  
 Singh, M. K.—1214/Mas/96.  
 Singh, M. K. S.—1565/Mas/96.  
 Slowinski, C.—1973/Mas/96.  
 Samle, M. W.—1682/Mas/96.  
 Smithkline Beecham Corporation—2051/Mas/96.  
 Societe Des Produits Nestle S.A.—1232/Mas/96, 1233/Mas/96, 1497/Mas/96, 1562/Mas/96, 1652/Mas/96, 1770/Mas/96, 1878/Mas/96, 1902/Mas/96, 1909/Mas/96, 1959/Mas/96, 2002/Mas/96, 2046/Mas/96, 2097/Mas/96, 2098/Mas/96 & 2209/Mas/96.  
 Sogeraill—1549/Mas/96.  
 Solaic—1862/Mas/96 & 1937/Mas/96.  
 Someppa Pakshappa Biradar Pharmacist—1836/Mas/96.  
 Sonny, P. K.—2087/Mas/96.  
 Soremartec S. A.—1782/Mas/96.  
 Southern Petrochemical Industries Corporation Ltd.—1159/Mas/96, 1176/Mas/96 & 1177/Mas/96.  
 Sowa Institute of Technology Co. Ltd.—2006/Mas/96.  
 Spic Science Foundation—1566/Mas/96.  
 Sree Chitra Tirunal Institute for Medical Science & Technology—1586/Mas/96 & 2099/Mas/96.  
 Stanpacks (India) Ltd—1800/Mas/96.

Steel Wheels Ltd.—1446/Mas/96.  
 Stenning, D. G.—1911/Mas/96.  
 Stogner, R. L.—1518/Mas/96  
 Stork Comprimo B. V.—1582/Mas/96.  
 Subramanian, R.—1402/Mas/96.  
 Suh, K.—1488/Mas/96.  
 Sumika Fine Chemicals Ltd.—2001/Mas/96.  
 Sumitomo Chemical Co. Ltd.—1296/Mas/96, 1297/Mas/96,  
 1473/Mas/96, 1520/Mas/96, 1634/Mas/96, 2192/Mas/96,  
 2254/Mas/96 & 2293/Mas/96.  
 Super Disc Filters Ltd.—1975/Mas/96.  
 Suryaprakash, J.—1536/Mas/96, 1537/Mas/96 & 1538/Mas/  
 96.  
 Switched Reluctance Drives Ltd.—2165/Mas/96.  
 Sykes, C. C.—2370/Mas/96.  
 Symphar, S. A.—1349/Mas/96.

## "T"

T. C. A. International SRL.—2261/Mas/96.  
 T O A Medical Electronics Co. Ltd.—2363/Mas/96.  
 T. Stanes & Co. Ltd.—1289/Mas/9 & 1290/Mas/96.  
 Tablets (India) Ltd.—1202/Mas/96, 1203/Mas/96, 1370/  
 Mas/96 & 1371/Mas/96.  
 Taisun Motor Industries PTE Ltd.—1588/Mas/96.  
 Tanabe Seiyaku Co. Ltd.—1355/Mas/96.  
 Tanaka, S.—1785/Mas/96.  
 Technoliness Inc.—1939/Mas/96.  
 Teratech Corp.—1154/Mas/96.  
 Tespom 95 Ltd.—2034/Mas/96.  
 Tetra Laval Holdings and Finance S. A.—2257/Mas/96.  
 Texas Instruments India Ltd.—1872/Mas/96 & 1873/Mas/  
 96.  
 Texas Instruments India Pvt. Ltd.—1762/Mas/96 & 1763/  
 Mas/96.  
 Textilma AG.—1677/Mas/96, 1778/Mas/96 & 1899/Mas/  
 96.  
 Thirupathy, V. V. T.—1761/Mas/96.  
 Thomas, C. K.—1806/Mas/96.  
 Thomas, J.—2326/Mas/96.  
 Thomas, R. S.—1444/Mas/96.  
 Thomas, T. (Dr.)—1619/Mas/96.  
 Thornycroft Giles & Co. Inc.—1310/Mas/96, & 1311/Mas/  
 96.  
 Thyseen Stahl Ag.—1358/Mas/96.  
 Thyseen Still Otto Anlagentechnik GmbH.—2106/Mas/96.  
 Tienchi Trading Co. Ltd.—1951/Mas/96.  
 Tioxide Australia Pty. Ltd.—1702/Mas/96.  
 Titan Industries Ltd.—1705/Mas/96.  
 Top Work Industry Co. Ltd.—2222/Mas/96.  
 Toray Industries, Inc.—2021/Mas/96.  
 Torben, L.—1277/Mas/96.  
 Toyo Bioreactor Co. Ltd.—1798/Mas/96.  
 Toyo Living Co. Ltd.—1195/Mas/95.  
 Toyo Living Singapore Co. Pte Ltd.—1195/Mas/96.  
 Travancore Chemical & Mfg. Co. Ltd.—1393/Mas/96.  
 Tropical Botanic Garden and Research Institute—2147/Mas/  
 96.  
 Tsang, W. S.—1855/Mas/96.

## "U"

Upat GmbH & Co.—2180/Mas/96.  
 U P S Ltd.—1870/Mas/96.  
 Uhde GmbH.—1734/Mas/96.  
 Umbro, G. G.—1207/Mas/96.  
 Unifill S. P. A.—2174/Mas/96.  
 Union Carbide Chemicals and Plastic Technology Corpora-  
 tion.—1901/Mas/96.  
 Union Underwear Co. Inc.—1809/Mas/96.  
 Universal Diesel Products Inc.—2083/Mas/96.  
 University of Florida.—2185/Mas/96.  
 University of Strathclyde.—1867/Mas/96.  
 Unnikrishnan, P.—2214/Mas/96.  
 Urea Casale S.A.—1389/Mas/96, 1669/Mas/96 & 2013/  
 Mas/96.  
 Uainor Sacilor (Societe Anonyme) Immeuble.—1358/Mas/  
 96, 1548/Mas/96, 1793/Mas/96, 1794/Mas/96 & 1950/  
 Mas/96.

## "V"

Vallourec Oil & Gas.—2158/Mas/96.  
 Varghese, C.J.—1707/Mas/96.  
 Venkatalaxmi, C. (Smt.)—1639/Mas/96.  
 Venkateshwar, C. (Dr.)—1390/Mas/96, 1391/Mas/96, 1399/  
 Mas/96, 1400/Mas/96 & 1401/Mas/96.  
 Verghese, B.C. (George)—2084/Mas/96.  
 Vermont American Corporation.—1409/Mas/96.  
 Vesuvius Crucible Co.—1720/Mas/96, 1721/Mas/96 & 1805/  
 Mas/96.  
 Vianova Resins GmbH.—1672/Mas/96.  
 Vijayabhanu.—2043/Mas/96.  
 Vijayan, S.K.—1165/Mas/96.  
 Vijayan, T. A.—1359/Mas/96.  
 Vijay Electricals Ltd.—1410/Mas/96 & 1411/Mas/96.  
 Vijay, N.—2267/Mas/96, 2268/Mas/96 & 2269/Mas/96.

## "W"

W M Wrigley Jr. Co.—2141/Mas/96.  
 Wacker-Chemie GmbH.—1320/Mas/96 & 1475/Mas/96.  
 Walvekar, H.K.—1554/Mas/96.  
 Wei Meng Industrial Co. Ltd.—1436/Mas/96.  
 Wenger Ffg. Inc.—1496/Mas/96.  
 Wenzel, T.T.—1682/Mas/96.  
 Weston Medical Ltd.—2230/Mas/96.  
 Widia India Ltd.—1602/Mas/96, 1603/Mas/96, 1604/  
 Mas/96, 1605/Mas/96, 1688/Mas/96, 2246/Mas/96 &  
 2247/Mas/96.  
 Widia GmbH.—1193/Mas/96, 1194/Mas/96, 1599/Mas/96,  
 1600/Mas/96, 1601/Mas/96, 1606/Mas/96, 2248/Mas/96,  
 2309/Mas/96 & 2376/Mas/96.  
 Williams, C.C.—1682/Mas/96.  
 Willis, G.—1695/Mas/96.  
 Wilson, L.R.—1880/Mas/96.  
 Woodhouse, T. C.—1971/Mas/96.  
 World Wide Stationery Mfg. Co. Ltd.—1493/Mas/96 &  
 1494/Mas/96.

## "X"

Xorella AG.—2169/Mas/96.

## "Y"

Y K K Corporation.—1318/Mas/96, 1382/Mas/96, 1392/Mas/96, 1545/Mas/96, 1925/Mas/96 & 1926/Mas/96.  
Yokoyama Sankoh Co. Ltd.—2130/Mas/96.  
Yokoyama, Y.—2130/Mas/96.

## "Z"

Zellweger Luwa AG.—1323/Mas/96, 1324/Mas/96 & 2159/Mas/96.  
Zeneca Ltd.—1227/Mas/96 & 1656/Mas/96.  
Zimmermann & Jansen GmbH.—1164/Mas/96.  
Zinchem-Benelux-ex Etsl Frank & Steeman.—1758/Mas/96.  
Zymo Genetics Inc.—2077/Mas/96 & 2078/Mas/96.

## DELHI.

(1452/Del/96—3013/Del/96).

## "A"

A B B Carbon AB.—2603/Del/96, 2744/Del/96, 2759/Del/96, 2760/Del/96, 2761/Del/96, 2762/Del/96 & 2765/Del/96.  
A B B Research Ltd.—1482/Del/96 & 2002/Del/96.  
A B B Stal AB.—2519/Del/96.  
A E C I Ltd.—2515/Del/96.  
A. Monforts Textilmaschinen GmbH & Co.—2070/Del/96.  
Abend, T.P.—1549/Del/96.  
Abichandani, H. (Dr.).—1524/Del/96 & 2113/Del/96.  
Abidin, M.R.—2489/Del/96.  
Adlakha, A.P.—1612/Del/96.  
Adnendole, S.—2943/Del/96.  
Advanced Elastomer Systems. L. P.—1473/Del/96, 2396/Del/96 & 2563/Del/96.  
Advanced Risc Machines Ltd.—1619/Del/96 & 1726/Del/96.  
Adwert Iotinam Contract Ltd.—2878/Del/96.  
Aerojet General Corporation.—2521/Del/96.  
Agnihotri, N.—1834/Del/96.  
Agrevo UK Ltd.—1699/Del/96.  
Agrolimen, S. A.—1975/Del/96.  
Agrolinz Melumin GmbH.—2670/Del/96.  
Ahluwalia, K. B.—2542/Del/96.  
Ajmal's Perfume Mfg. and Oudh Processing Industry (I.I. C.)—1716/Del/96 & 1717/Del/96.  
Aktiebolaget Astra.—1558/Del/96 & 1850/Del/96.  
Aktiebolaget Skf.—1760/Del/96 & 2309/Del/96.  
Alcan International Ltd.—1906/Del/96, 1907/Del/96, 1944/Del/96 & 2557/Del/96.  
Alcatel Alsthom Compagnie Generale D'Electricite.—2451/Del/96.  
Alcatel Australia Ltd.—2053/Del/96.  
Alcatel Mobile Phones.—2021/Del/96.  
Alcatel N. V.—1547/Del/96, 1568/Del/96 & 1662/Del/96.  
Alcatel Standard Electric S. A.—1660/Del/96.  
Allenoer Equipment S. A.—2864/Del/96.  
Allied Signal Inc.—1756/Del/96, 1757/Del/96, 1758/Del/96, 1759/Del/96, 1761/Del/96, 2205/Del/96, 2454/Del/96 & 2922/Del/96.  
Altimed Co.—2944/Del/96.  
Amerace Corporation.—2686/Del/96, 2687/Del/96 & 2688/Del/96.

American Material Co.—2756/Del/96.  
Amoco Corporation.—1554/Del/96, 2000/Del/96 & 2129/Del/96.  
Andersson, P. O.—2615/Del/96.  
Ansa Co. Inc.—2459/Del/96.  
Antonov Automotive Technologies B. V.—1785/Del/96.  
Aptargroup, Inc.—2331/Del/96.  
Aquatec Water Systems, Inc.—1746/Del/96.  
Arandall Mills Inc.—2809/Del/96.  
Arkmount Systems, Inc.—2616/Del/96.  
Armcel Pty. Ltd.—1933/Del/96.  
Arora, J. N.—2488/Del/96.  
Arya, S. C.—2111/Del/96.  
Ashourian, J.—1690/Del/96.  
Ashourian, J.—1690/Del/96.  
Astra Aktiebolag.—1702/Del/96, 1703/Del/96, 1706/Del/96, 2001/Del/96, 2261/Del/96, 2391/Del/96, 2448/Del/96, 2533/Del/96, 2671/Del/96, 2845/Del/96, 2968/Del/96, 2969/Del/96, 2976/Del/96 & 2991/Del/96.  
Astra Pharmaceutical Inc.—2747/Del/96 & 2748/Del/96.  
Astra Pharmaceuticals Ltd.—1509/Del/96, 1979/Del/96, 2241/Del/96, 2700/Del/96 & 2846/Del/96.  
Austech Pty. Ltd.—2613/Del/96.  
Austech Pty. Ltd.—2613/Del/96.  
Automotive Products Plc.—2033/Del/96.  
Awasthi, R. K.—2659/Del/96.  
Ayoko, W. O. (Dr.).—1611/Del/96.

## "B"

B A S F Lacke and Farbe AG.—2242/Del/96, 2243/Del/96 & 3009/Del/96.  
B H P Steel (JLA) Pty. Ltd.—2065/Del/96.  
B I C Corporation.—1913/Del/96 & 1914/Del/96.  
B I C C Public Ltd. Co.—1729/Del/96.  
B O C Gases Australia Ltd.—2117/Del/96.  
B. P. Chemicals Ltd.—2077/Del/96, 2246/Del/96, 2247/Del/96, 2559/Del/96 & 2577/Del/96.  
B T R Plc.—2105/Del/96.  
B W E Ltd.—2022/Del/96.  
Baker Hughes Inc.—2395/Del/96.  
Balcke Durr GmbH.—2824/Del/96.  
Bandag Inc.—1679/Del/96.  
Baran Advanced Materials (94) Ltd.—2059/Del/96.  
Bartell Machinery Systems Corporation.—1942/Del/96.  
Basu, M. S. (Dr.).—1471/Del/96.  
Baxter International Inc.—2263/Del/96.  
Bayer AG.—1570/Del/96, 1589/Del/96, 1590/Del/96, 1639/Del/96, 1640/Del/96, 1705/Del/96, 1853/Del/96, 1893/Del/96, 1910/Del/96, 1929/Del/96, 2066/Del/96, 2164/Del/96, 2332/Del/96, 2430/Del/96, 2453/Del/96, 2486/Del/96, 2532/Del/96, 2541/Del/96, 2581/Del/96, 2602/Del/96, 2723/Del/96, 2764/Del/96, 2771/Del/96 & 2815/Del/96.  
Beamech Group Ltd.—1522/Del/96.  
Becker Group Europe GmbH.—2934/Del/96.  
Bell Communications Research Inc.—1495/Del/96, 1718/Del/96, 1719/Del/96, 1981/Del/96, 2510/Del/96, 2535/Del/96 & 2728/Del/96.  
Beng, D. T.—2732/Del/96.

- Bhanbi, S.—1723/Del/96.
- Bharat Heavy Electricals Ltd.—1514/Del/96, 1821/Del/96, 1998/Del/96, 2406/Del/96, 2752/Del/96, 2814/Del/96 & 2850/Del/96.
- Bhatnagar, O.—2710/Del/96.
- Biochem Pharma Inc.—2810/Del/96.
- Bio Plexual Inc.—2877/Del/96.
- Biorex Kutato ES Fejlesztő RT.—2405/Del/96.
- Bio Plexual Inc.—2877/Del/96.
- Black & Decker Inc.—1752/Del/96, 1980/Del/96 & 2068/Del/96.
- Blel, B. T.—2697/Del/96.
- Blum, R. D.—1948/Del/96.
- Board of Regents of the University and Community College System of Nevada, The.—2564/Del/96 & 2565/Del/96.
- Boehringer Ingelheim International GmbH.—2159/Del/96, 2152/Del/96, 2694/Del/96 & 2919/Del/96.
- Boehringer Ingelheim KG.—1685/Del/96, 1693/Del/96 & 2390/Del/96.
- Bohering Ingelheim AG.—2669/Del/96.
- Boxide Group Services Ltd.—2801/Del/96.
- Brainpower Consulting GmbH.—2055/Del/96.
- British Technology Group Ltd.—1478/Del/96, 2413/Del/96
- Brainpower Consulting GmbH.—2055/Del/96.
- British Technology Group Ltd.—1478/Del/96, 2413/Del/96 & 2604/Del/96.
- Brodeur, J.C.—1555/Del/96.
- Brown, D. K.—1727/Del/96 & 1896/Del/96.
- Brown Forman Corporation.—1599/Del/96.
- Brunswick Technology Corporation.—1833/Del/96.
- Brupat Ltd.—1615/Del/96.
- Bykaboosc International Ltd.—2572/Del/96.
- "C"
- Carba Societe Anonyme.—1939/Del/96.
- Carnegie Mellon University.—2516/Del/96.
- Carrier Corporation.—1487/Del/96 & 1488/Del/96.
- Casio Computer Co. Ltd.—2254/Del/96 & 3007/Del/96.
- Cater Electricals & Electronics (India).—2811/Del/96.
- Cellpack AG.—1678/Del/96.
- Centre for Development of Telematics.—2258/Del/96.
- Centre National D'Etudes Spatiales.—1689/Del/96.
- Central Tuber Crops Research Institute.—1829/Del/96.
- Chang, I.—2284/Del/96.
- Chatter, M.—1830/Del/96.
- Chawla, G. S.—2157/Del/96 & 2696/Del/96.
- Chawla, M. P.—2156/Del/96.—
- Chhabra, J. R.—1748/Del/96 & 1749/Del/96.
- Chhabra, K. K.—2711/Del/96.
- Chicago Pneumatic Tool Co.—2344/Del/96.
- Chief Contoller, Research & Development, The.—1507/Del/96, 1542/Del/96, 1543/Del/96, 1750/Del/96, 1766/Del/96, 2058/Del/96, 2063/Del/96, 2064/Del/96, 2125/Del/96, 2145/Del/96, 2189/Del/96, 2190/Del/96, 2345/Del/96, 2348/Del/96, 2347/Del/96, 2348/Del/96, 2349/Del/96, 2379/Del/96, 2407/Del/96, 2408/Del/96, 2813/Del/96, 2873/Del/96 & 2874/Del/96.
- Cho, J.—1654/Del/96.
- Chong Kun Dang Corporation.—2402/Del/96.
- Chopra, P. (Smt.).—2594/Del/96.
- Chrysler Corporation.—2083/Del/96, 2084/Del/96, 2085/Del/96, 2140/Del/96, 2141/Del/96 & 2142/Del/96.
- Ciba-Geigy AG.—1521/Del/96, 1605/Del/96, 1622/Del/96, 1671/Del/96, 1672/Del/96, 1814/Del/96, 2224/Del/96, 2233/Del/96, 2234/Del/96, 2277/Del/96, 2491/Del/96, 2663/Del/96, 2704/Del/96, 2705/Del/96, 2741/Del/96 & 2751/Del/96.
- Clear, T.E.—1964/Del/96.
- Cofap-Compania Fabricadora De Pecas.—2169/Del/96.
- Cogifer-Compagnie Generale D'Installations Ferroviaires.—1692/Del/96.
- Colgate-Palmolive Co.—1475/Del/96, 1586/Del/96, 1587/Del/96, 1710/Del/96, 1789/Del/96, 2036/Del/96, 2278/Del/96, 2394/Del/96, 2494/Del/96 & 2975/Del/96.
- Commodore Applied Technologies Inc.—2412/Del/96.
- Commonwealth Scientific and Industrial Research Organisation.—2061/Del/96.
- Compax Corporation.—2048/Del/96.
- Comviq Gsm AB.—1923/Del/96.
- Conceptair Anstalt.—2014/Del/96.
- Connector Set Ltd., Partnership.—1847/Del/96.
- Corning Inc.—1508/Del/96, 1623/Del/96, 1658/Del/96, 1741/Del/96, 1897/Del/96, 2209/Del/96, 2275/Del/96, 2326/Del/96, 2353/Del/96, 2354/Del/96, 2355/Del/96, 2429/Del/96, 2481/Del/96, 2647/Del/96, 2702/Del/96, 2859/Del/96 & 2935/Del/96.
- Corixa Corporation.—1950/Del/96, 1951/Del/96 & 2071/Del/96.
- Council of Scientific and Industrial Research.—1525/Del/96, 1526/Del/96, 1527/Del/96, 1528/Del/96, 1529/Del/96, 1530/Del/96, 1531/Del/96, 1532/Del/96, 1533/Del/96, 1534/Del/96, 1535/Del/96, 1536/Del/96, 1646/Del/96, 1795/Del/96, 1796/Del/96, 1797/Del/96, 1798/Del/96, 1799/Del/96, 1800/Del/96, 1801/Del/96, 1802/Del/96, 1803/Del/96, 1804/Del/96, 1805/Del/96, 1806/Del/96, 1807/Del/96, 1808/Del/96, 1809/Del/96, 1810/Del/96, 1811/Del/96, 1812/Del/96, 1880/Del/96, 1881/Del/96, 1952/Del/96, 1953/Del/96, 1954/Del/96, 1995/Del/96, 1996/Del/96, 2170/Del/96, 2266/Del/96, 2267/Del/96, 2307/Del/96, 2308/Del/96, 2334/Del/96, 2335/Del/96, 2336/Del/96, 2337/Del/96, 2338/Del/96, 2339/Del/96, 2340/Del/96, 2341/Del/96, 2497/Del/96, 2498/Del/96, 2499/Del/96, 2500/Del/96, 2501/Del/96, 2502/Del/96, 2503/Del/96, 2504/Del/96, 2505/Del/96, 2506/Del/96, 2507/Del/96, 2508/Del/96, 2509/Del/96, 2618/Del/96, 2619/Del/96, 2620/Del/96, 2621/Del/96, 2622/Del/96, 2623/Del/96, 2624/Del/96, 2625/Del/96, 2626/Del/96, 2627/Del/96, 2628/Del/96, 2629/Del/96, 2630/Del/96, 2631/Del/96, 2632/Del/96, 2633/Del/96, 2634/Del/96, 2635/Del/96, 2636/Del/96, 2637/Del/96, 2638/Del/96, 2639/Del/96, 2640/Del/96, 2641/Del/96, 2642/Del/96, 2643/Del/96, 2644/Del/96, 2734/Del/96, 2735/Del/96, 2736/Del/96, 2737/Del/96, 2738/Del/96, 2739/Del/96, 2740/Del/96, 2955/Del/96, 2956/Del/96, 2957/Del/96, 2958/Del/96, 2959/Del/96, 2660/Del/96, 2961/Del/96, 2962/Del/96, 2963/Del/96, 2964/Del/96, 2965/Del/96, 2977/Del/96, 2978/Del/96, 2979/Del/96, 2980/Del/96, 2981/Del/96, 2982/Del/96, 2983/Del/96, 2984/Del/96, 2985/Del/96 & 2986/Del/96.
- Courtaulds Chemicals (Holdings) Ltd.—1997/Del/96.
- Courtaulds Fibres (Holdings) Ltd.—1997/Del/96, 2753/Del/96, 2754/Del/96, 2755/Del/96 & 2889/Del/96.
- Courtaulds Packaging Ltd.—2441/Del/96 & 2442/Del/96.
- Coventry University.—1738/Del/96.
- Crown Cork & Seal Co. Inc.—1973/Del/96.



## "D"

D A I Nippon Printing Co.—2011/Del/96.  
 D'Heygere, P.—1480/Del/96.  
 D'Sal. Inc.—2409/Del/96.  
 D S C Communications A/S.—2573/Del/96, 2574/Del/96, 2575/Del/96, 2578/Del/96 & 2579/Del/96.  
 D S C Communications Corporation.—2492/Del/96.  
 D S T Technology LLC.—2592/Del/96.  
 De La Rue Giori S.A.—1968/Del/96, 2252/Del/96, & 2264/Del/96.  
 Delsey.—1777/Del/96 & 2891/Del/96.  
 Dewan, S. S.—1784/Del/96.  
 Digital Equipment Corporation.—2018/Del/96 & 2783/Del/96.  
 Director Central Pulp & Paper Research Institute.—2445/Del/96.  
 Director, Indian Institute of Technology, The.—1773/Del/96.  
 Director, Northern India.—2890/Del/96.  
 Director, The.—2673/Del/96.  
 Discovision Associates.—1613/Del/96.  
 Dodeja, A. K. (Dr.).—1524/Del/96 & 2112/Del/96.  
 Domino Printing Science Co.—2906/Del/96.  
 Domino Printing Sciences Plc.—1682/Del/96, 2713/Del/96 & 2714/Del/96.  
 Donlar Corporation.—2130/Del/96.  
 Dougall, V. K. (Lt. Col.).—1838/Del/96.  
 Dow Corning Corporation.—1935/Del/96.  
 Dow United Technologies Composite Products, Inc.—2114/Del/96.  
 Drahtcord Saar GmbH & Co. KG.—1875/Del/96.  
 Dr. Beck & Co. AG.—2352/Del/96.  
 Dunlop Ltd.—7818/Del/96.  
 Dunton, R. K.—1572/Del/96.  
 Duracell Inc.—1782/Del/96 & 2536/Del/96.

## "E"

E C C International Inc.—1890/Del/96 & 1891/Del/96.  
 E L F Aquitaine Production.—2397/Del/96 & 2400/Del/96.  
 E L F Atochem S. A.—1541/Del/96, 2283/Del/96, 2653/Del/96 & 2796/Del/96.  
 E S C O Corporation.—2411/Del/96, 2766/Del/96 & 2767/Del/96.  
 Eastman Chemical Co.—1610/Del/96, 1643/Del/96, 1644/Del/96, 1919/Del/96, 1928/Del/96, 1941/Del/96, 1999/Del/96, 2067/Del/96, 2187/Del/96, 2314/Del/96, 2534/Del/96, 2721/Del/96, 2898/Del/96, 2899/Del/96, 2902/Del/96 & 2972/Del/96.  
 Ebara Corporation.—2582/Del/96 & 2583/Del/96.  
 Ecosmart, Inc.—1698/Del/96 & 1700/Del/96.  
 Eco Times.—2819/Del/96.  
 Electricite De France.—1573/Del/96.  
 Electrocooper Products Ltd.—2587/Del/96 & 2588/Del/96.  
 Electro Scientific Industries, Inc.—2482/Del/96 & 2483/Del/96.  
 Electroplastica Electrodomestici S. R. L.—1621/Del/96.  
 Elin Energieversorgung GmbH.—2204/Del/96 & 2399/Del/96.  
 Endgate Corporation.—2371/Del/96, 2435/Del/96 & 2837/Del/96.

Engineers India Ltd.—1866/Del/96.  
 Entrone-Omi.—2360/Del/96.  
 Eow, C. T.—1625/Del/96.  
 Friconson Inc.—2885/Del/96.  
 Ethyl Petroleum Additives Ltd.—2858/Del/96.  
 Europay International S. A.—1609/Del/96.  
 Exxon Chemical Patents Inc.—1498/Del/96, 1516/Del/96, 1517/Del/96, 1518/Del/96, 1550/Del/96, 1561/Del/96, 1739/Del/96, 2248/Del/96, 2472/Del/96, 2558/Del/96, 2576/Del/96, 2743/Del/96 & 2786/Del/96.  
 Exxon Research and Engineering Co.—1971/Del/96, 1972/Del/96, 2078/Del/96, 2119/Del/96 & 2318/Del/96.

## "F"

F I P Atochem S.A.—2834/Del/96.  
 F M C Corporation.—1519/Del/96, 1537/Del/96, 1661/Del/96, 1825/Del/96, 1904/Del/96, 2888/Del/96 & 2936/Del/96.  
 F N R Corporation.—2871/Del/96.  
 Fata Hunter, Inc.—2484/Del/96.  
 Feldman, C. L.—1957/Del/96.  
 Filter Technology International Pty. Ltd.—2605/Del/96.  
 Firemanich S. A.—2857/Del/97.  
 First Republic Corporation of America, The—2270/Del/96.  
 Firth Vickers Centrispinning Ltd.—2452/Del/96.  
 Fi-Tek Purification Systems, Inc.—1725/Del/96.  
 Flair Corporation.—1479/Del/96 & 1481/Del/96.  
 Flexous Specially Norwovem Ltd.—2720/Del/96.  
 Fraunhofer-Gesellschaft Zur Förderung Der Angewandten Forschung E. V.—2486/Del/96.  
 Fuji Electric Co. Ltd.—2206/Del/96, 2207/Del/96, 2520/Del/96, 2538/Del/96 & 2539/Del/96.  
 Fullmark Pte Ltd.—1940/Del/96.  
 Fusion Inc.—1675/Del/96.  
 Futech Educational Products Inc.—2436/Del/96.

## "G"

G E C Alsthom Stein Industrie.—2010/Del/96, 2056/Del/96, 2580/Del/96 & 2600/Del/96.  
 G E C Alsthom Stein Industrie Centrale Nucleaire Europeenne A Neutrons Rapides SA.—1573/Del/96.  
 G E C Alsthom T & D SA.—1523/Del/96 & 2238/Del/96.  
 G E C Alsthom Transport S.A.—1575/Del/96, 2229/Del/96 & 2522/Del/96.  
 G L F Autochem S.A.—2778/Del/96.  
 G S F Forschungszentrum Furumhelf and Gesundheit GmbH.—2971/Del/96.  
 Gadgil, M. D. (Dr.).—2268/Del/96 & 2269/Del/96.  
 Gadgil, S. M. (Mrs.) Dr.—2268/Del/96 & 2269/Del/96.  
 Gajda.—2343/Del/96.  
 Gang, G. G.—1860/Del/96.  
 Garrett, S. L.—1686/Del/96.  
 Gas Authority of India Ltd.—1786/Del/96, 2924/Del/96 & 2925/Del/96.  
 Gauri, K. K. (Dr. Prof.)—2180/Del/96.  
 General Electric Co.—1694/Del/96, 1695/Del/96, 1696/Del/96, 1876/Del/96, 1877/Del/96, 1947/Del/96, 2173/Del/96 & 2253/Del/96.

## "G"

General Hospital Corporation, The—2672/Del/96.  
 General Tuber Crops Research Institute Sreekaraiyam.—2017/Del/96.  
 Gestra AG.—2074/Del/96 & 2079/Del/96.  
 Ghuwalewala, K. L.—2124/Del/96.  
 Gill, A. S.—2662/Del/96.  
 Gillette Co., The—2148/Del/96, 2149/Del/96, 2460/Del/96, 2493/Del/96 & 2802/Del/96.  
 Gill, G.—1901/Del/96 & 2795/Del/96.  
 Gist-Brocades B. V.—1588/Del/96 & 1743/Del/96.  
 Glaxo Group Ltd.—1544/Del/96, 1958/Del/96, 2026/Del/96, 2215/Del/96 & 2612/Del/96.  
 Glaxo Well Come SPA.—2123/Del/96.  
 Global Palm Products SDN, BHD.—2458/Del/96.  
 Goel, J. K.—1585/Del/96.  
 Goodyear Tyre & Rubber Co. The—1779/Del/96, 1837/Del/96, 1982/Del/96, 2024/Del/96, 2025/Del/96, 2107/Del/96, 2128/Del/96, 2310/Del/96, 2311/Del/96, 2471/Del/96 & 2787/Del/96.  
 Gopal, R.—1783/Del/96.  
 Gould Electronics, Inc.—1965/Del/96.  
 Graphic Utilities, Inc.—2477/Del/96.  
 Gray Engineering Ltd.—1614/Del/96.  
 Gridcore Systems International.—2595/Del/96.  
 Guardaig Industries Corporation.—2757/Del/96.  
 Guardian Industries Corporation.—2351/Del/96.  
 Guha, S. K. (Dr.)—2096/Del/96.  
 Guilford Pharmaceuticals, Inc.—2322/Del/96, 2323/Del/96 & 2324/Del/96.  
 Gupta, M. P.—1583/Del/96.  
 Gupta, V.—1967/Del/96.

## "H"

H. C. Starck GmbH & Co. KG.—2134/Del/96.  
 Hagon, H. R.—2590/Del/96.  
 Hanwa Corporation.—2531/Del/96.  
 Hardisom-Walker Refractoried Co.—1772/Del/96.  
 Harrison, J.—2948/Del/96.  
 Hauni Maschinenbau AG.—1562/Del/96.  
 Heberlein Maschinenfabrik AG.—2054/Del/96 & 2214/Del/96.  
 Helene Curtis, Inc.—1934/Del/96.  
 Henoldings Inc.—2946/Del/96.  
 Hill, R. J.—1452/Del/96.  
 Hobas Engineering AG.—2903/Del/96.  
 Hoechst Schering Agrovo GmbH.—1464/Del/96.  
 Holzer, W.—2896/Del/96 & 2989/Del/96.  
 Homola, A. M.—1572/Del/96.  
 Honda Giken Kogyo Kabushiki Kaisha.—1818/Del/96, 1869/Del/96, 1870/Del/96, 1872/Del/96, 1887/Del/96, 1970/Del/96, 2146/Del/96, 2147/Del/96, 2152/Del/96, 2154/Del/96, 2249/Del/96, 2250/Del/96, 2551/Del/96, 2523/Del/96, 2681/Del/96, 2685/Del/96, 2884/Del/96, 2990/Del/96, 2993/Del/96, 2994/Del/96 & 2995/Del/96.  
 Hoosier Group L.L.C.—2526/Del/96.  
 Horwick International Group Ltd.—2953/Del/96.  
 Huber + Summer AG.—1728/Del/96.

## "H."

Huls America Inc.—1826/Del/96.  
 Hyal Pharmaceutical Australia Ltd.—2285/Del/96.  
 Hydrocarb Corporation.—2082/Del/96.

## "I"

I A T International Advanced Technologies Ltd.—2514/Del/96.  
 I C I Acrylics Inc.—2231/Del/96.  
 I C I Australia Operations Proprietary Ltd.—2524/Del/96.  
 I G U S Spritzgussteile Fur Die Industries GmbH.—2450/Del/96.  
 I M I Marston Ltd.—2617/Del/96.  
 Illinois Tool Work Inc.—1657/Del/96.  
 Imperial Chemical Industries Ltd.—2698/Del/96.  
 Imperial Chemical Industries Plc.—1636/Del/96, 1733/Del/96, 1851/Del/96, 1956/Del/96, 2081/Del/96, 2137/Del/96, 2213/Del/96, 2372/Del/96, 2461/Del/96, 2463/Del/96, 2589/Del/96, 2609/Del/96 & 2911/Del/96.  
 Indian Council of Agricultural Research—2143/Del/96 & 2199/Del/96.  
 Indian Herbs Research & Supply Co. Pvt. Ltd.—2941/Del/96.  
 Indian Oil Corporation—1866/Del/96.  
 Indian Veterinary Research Institute—2143/Del/96.  
 Industrie Ilpea S. P. A.—1664/Del/96.  
 Innotech Inc.—1601/Del/96.  
 Intel Corporation—2684/Del/96, 2839/Del/96, & 2937/Del/96.  
 Interbold—2692/Del/96.  
 International Business Machines Corporation—1470/Del/96, 1512/Del/96, 1600/Del/96, 2038/Del/96, 2039/Del/96, 2236/Del/96, 2555/Del/96, 2607/Del/96 & 3006/Del/96.  
 Intersect Technologies Inc.—2227/Del/96 & 2398/Del/96.  
 Ishikawajima-Harima Jukogyo Kabushiki Kaisha—2158/Del/96.

## "J"

J. E. Thomas Specialties Ltd.—2232/Del/96.  
 J. Mitra & Co. M/s.—1553/Del/96.  
 Jaidka, S.—2401/Del/96.  
 John Mezzalingua Asser, Inc.—1754/Del/96.  
 James Hardie Research Pty. Ltd.—1888/Del/96.  
 Japan Recom Ltd.—2414/Del/96.  
 Jasrotia, H. S.—2447/Del/96.  
 Jeffcoat, M. C.—2342/Del/96.  
 Jervis B. Webb International Co.—2257/Del/96 & 2362/Del/96.  
 Jic, W. X.—1936/Del/96.  
 msci)SU78figD0341244...—?I48I SHRD I.  
 Joseph, T. G.—2433/Del/96.  
 Jung, L.—1552/Del/96.

## "K"

K. C. Metal—Products Pty. Ltd.—2065/Del/96.  
 K. Kvel Web Tech. Co. Ltd.—2912/Del/96.  
 Kabelschlepp GmbH.—1511/Del/96.  
 Kabushiki Kaisha Katayama—1724/Del/96.  
 Kabushiki Kaisha Toshiba—1513—Del/96, 1626/Del/96 & 1697/Del/96.

## "K"

Kamil, M.—2200/Del/96.  
 Kao Corporation—2049/Del/96.  
 Kapoor, D. (Dr.)—1765/Del/96.  
 Kaun, Y. F.—1564/Del/96.  
 Kawasaki Jukogyo Kabushiki Kaisha—1454/Del/96.  
 Kennametal Inc.—1824/Del/96, 2295/Del/96 & 2392/Del/96.  
 Keravision Inc.—1836/Del/96.  
 Khan, I. (Dr.)—2113/Del/96.  
 Khanna, P. Miss (Dr.) Prof.—2191/Del/96 & 2192/Del/96.  
 Khosla, R.—1767/Del/96 & 2029/Del/96.  
 Khurana, J. R.—1842/Del/96.  
 Kim, Y.—1878/Del/96.  
 Kinetic Ltd.—1859/Del/96.  
 Kleinman, K.—1957/Del/96.  
 Klockner-Moeller GmbH.—2005/Del/96, 2316/Del/96 & 2137/Del/96.  
 Kolan Industries—2835/Del/96.  
 Kool Ltd.—2208/Del/96.  
 Koyo Sangyo Co. Ltd.—1845/Del/96.  
 Kraft Foods Inc.—2226/Del/96.  
 Kumar, N. M.—2265/Del/96.  
 Kumar, R.—1962/Del/96.

## "L"

L'Air Liquide Societe Anonyme Pour L'Etude Et L'Exploitation Des Produits Georges Claude—1374/Del/96, 1666/Del/96, 1823/Del/96, 2108/Del/96, 2296/Del/96, 2357/Del/96 & 2664/Del/96.  
 L E C O Stationery Mfg. Co. Ltd.—1983/Del/96.  
 L G Electronics Inc.—1647/Del/96, 1648/Del/96, 1649/Del/96, 1650/Del/96, 1651/Del/96, 1652/Del/96, 1653/Del/96, 2073/Del/96, 2165/Del/96, 2166/Del/96, 2171/Del/96, 2281/Del/96, 2282/Del/96, 2567/Del/96, 2593/Del/96 & 2826/Del/96.  
 L W T Instruments Inc.—2556/Del/96.  
 Laboratories Del Dr. Estere S. A.—2703/Del/96 & 2775/Del/96.  
 Laboratoric Glaxo Wellcome S. A.—1520/Del/96.  
 Laboratories Aranda, S. A.—1591/Del/96.  
 Lear Corporation—2596/Del/96.  
 Lec, K.—1684/Del/96.  
 Legend Incorporation Ltd.—2417/Del/96.  
 Lenzing Ag.—1560/Del/96, 1790/Del/96, 1793/Del/96, 1948/Del/96, 2080/Del/96, 2174/Del/96 & 2863/Del/96.  
 Lexmark International Inc.—1994/Del/96 & 2422/Del/96.  
 Lockheed Martin Corporation.—2403/Del/96.  
 Lubrizol Corporation, The.—1483/Del/96.  
 Lucas Industries Public Ltd. Co.—1916/Del/96.

## "M"

M & C Co. Ltd.—1735/Del/96.  
 M. I. T'ng Raymond.—1469/Del/96.  
 M. W. Kellogg Co., The.—2439/Del/96.  
 Magna Force, Inc.—2276/Del/96.  
 Makker, S. K.—2112/Del/96.  
 Malcam Ltd.—1469/Del/96.

Malik, S. K.—2782/Del/96.  
 Mantex Consultants Pvt. Ltd.—2421/Del/96.  
 Manufacturing and Technology Conversion International Inc.—2474/Del/96.  
 Marathan Oil Co.—2304/Del/96, 2305/Del/96, 2306/Del/96, 2678/Del/96 & 2679/Del/96.  
 March, C.—2930/Del/96.  
 Maschinenfabrik Sulzer-Burkardt AG.—2237/Del/96 & 3011/Del/96.  
 Materials Innovations Inc.—2722/Del/96.  
 Mathur, S. N.—1788/Del/96, 2030/Del/96 & 2172/Del/96.  
 Matsushita Electric Co. Ltd.—1864/Del/96.  
 Matsushita Electric Industrial Co. Ltd.—1846/Del/96, 1862/Del/96, 2095/Del/96 & 2179/Del/96.  
 Matsuura, H.—1863/Del/96.  
 Maulana Azad Medical College.—1959/Del/96.  
 Mckechimie Plastics Ltd.—2742/Del/96.  
 McMullen, A.—1831/Del/96.  
 Meconway Farley Corporation—2992/Del/96.  
 Memminger-Ipo GmbH.—2228/Del/96 & 2804/Del/96.  
 Metallgesellschaft AG.—1638/Del/96.  
 Michigan State University.—1699/Del/96 & 1986/Del/96.  
 Minerals Technologies Inc.—2410/Del/96 & 2487/Del/96.  
 Minister of Agriculture Fisheries and Food in her Britannic Majesty's Government, The.—2561/Del/96.  
 Minster Machine Co. The.—2434/Del/96.  
 Mintek.—2271/Del/96.  
 Mitsubishi Chemical Corporation.—2840/Del/96.  
 Mitsubishi Denki Kabushiki Kaisha.—2161/Del/96 & 2763/Del/96.  
 Mitsui Petrochemical Industries Ltd.—1963/Del/96, 2210/Del/96, 2262/Del/96, 2437/Del/96 & 2464/Del/96.  
 Mittal, B. L.—2875/Del/96.  
 Mittal, S. K.—1538/Del/96.  
 Molinag Milk Indasary Co. Ltd.—2131/Del/96.  
 Moltech Invent S. A.—1762/Del/96 & 1763/Del/96.  
 Moore Products Co.—1500/Del/96.  
 Morgan Construction Co.—1465/Del/96 & 2020/Del/96.  
 Morotech International Inc.—2725/Del/96.  
 Morton International Inc.—1571/Del/96, 2132/Del/96, 2133/Del/96, 2601/Del/96, 2860/Del/96, 2916/Del/96 & 2918/Del/96.  
 Motorola GmbH.—1780/Del/96.  
 Motorola Inc.—1456/Del/96, 1457/Del/96, 1458/Del/96, 1476/Del/96, 1493/Del/96, 1494/Del/96, 1496/Del/96, 1497/Del/96, 1545/Del/96, 1551/Del/96, 1559/Del/96, 1645/Del/96, 1663/Del/96, 1665/Del/96, 1687/Del/96, 1688/Del/96, 1721/Del/96, 1722/Del/96, 1736/Del/96, 1817/Del/96, 1873/Del/96, 1908/Del/96, 1909/Del/96, 1917/Del/96, 1918/Del/96, 1924/Del/96, 1943/Del/96, 1949/Del/96, 1978/Del/96, 1985/Del/96, 2035/Del/96, 2050/Del/96, 2051/Del/96, 2052/Del/96, 2076/Del/96, 2089/Del/96, 2090/Del/96, 2091/Del/96, 2093/Del/96, 2094/Del/96, 2104/Del/96, 2122/Del/96, 2151/Del/96, 2279/Del/96, 2369/Del/96, 2370/Del/96, 2386/Del/96, 2416/Del/96, 2426/Del/96, 2455/Del/96, 2566/Del/96, 2586/Del/96, 2591/Del/96, 2646/Del/96, 2768/Del/96, 2772/Del/96, 2773/Del/96, 2816/Del/96, 2821/Del/96, 2904/Del/96, 2938/Del/96, 2947/Del/96 & 3008/Del/96.  
 Motorola Ltd.—1461/Del/96, 1832/Del/96, 1835/Del/96, 2136/Del/96, 2449/Del/96, 2465/Del/96 & 2608/Del/96.  
 Murata Kikai Kabushiki Kaisha—2040/Del/96 & 2724/Del/96.

## "N"

N. V. Bekaert S.A.—1921/Del/96.  
 Nanda, P. K.—1584/Del/96.  
 Narmalair-Garrett (Holdings) Ltd.—2645/Del/96.  
 Nastech Europe Ltd.—1889/Del/96, 1892/Del/96, 2299/Del/96, 2560/Del/96 & 2939/Del/96.  
 Nath, A.—2923/Del/96.  
 National Institute of Immunology.—1822/Del/96, 1861/Del/96, 1899/Del/96 & 2381/Del/96.  
 National Power Plc.—2060/Del/96 & 2915/Del/96.  
 National Research Development Corporation.—1787/Del/96.  
 New Toyo Aluminium Paper Product Co. (Pte) Ltd.—2028/Del/96.  
 Nihon Nohyaku Co. Ltd.—1499/Del/96.  
 Nihon Thermostat Co. Ltd.—2057/Del/96.  
 Nihov Nohyaku Co. Ltd.—1867/Del/96.  
 Nippon Sonso Corporation.—2255/Del/96.  
 Nippon Steel Corporation.—7510/Del/96, 1930/Del/96, 1966/Del/96 & 2861/Del/96.  
 Nokia-Maillefer Holding S. A.—2313/Del/96.  
 Normal Air-Garrett (Holdings) Ltd.—1751/Del/96, 1753/Del/96 & 2175/Del/96.  
 Norman, R.—2004/Del/96.  
 Norsk Hydro Asa.—2537/Del/96 & 2880/Del/96.  
 Northern Telecom Ltd.—1474/Del/96.  
 Novadent Ltd.—2585/Del/96.

## "O"

O'Dwyer, J. M.—1595/Del/96.  
 Omphalos Recovery Systems Inc.—2467/Del/96.  
 Orbital Engine Co. (Australia) Pty. Ltd.—1459/Del/96, 1460/Del/96, 1833/Del/96, 2109/Del/96, 2546/Del/96, 2822/Del/96 & 2825/Del/96.  
 Orbital Sefis Co. LLC.—1833/Del/96.  
 Otis Elevator Co.—1501/Del/96, 1770/Del/96, 1926/Del/96, 2543/Del/96, 2544/Del/96, 2545/Del/96, 2548/Del/96, 2549/Del/96, 2550/Del/96, 2551/Del/96, 2552/Del/96, 2553/Del/96, 2554/Del/96 & 2597/Del/96.  
 Otsuka Pharmaceutical Co. Ltd.—1745/Del/96, 1898/Del/96, 2163/Del/96, 2746/Del/96, 2847/Del/96 & 2920/Del/96.

## "P"

P. P. I. Intellectual Properties Ltd.—2270/Del/96.  
 Paik, B.—2423/Del/96.  
 Palletronex Corporation.—2650/Del/96.  
 Palta, L. C.—1667/Del/96.  
 Panacea Biotech Ltd.—2676/Del/96, 2677/Del/96, 2780/Del/96, 2781/Del/96, 2996/Del/96, 2997/Del/96, 2998/Del/96, 2999/Del/96, 3000/Del/96, 3001/Del/96, 3002/Del/96, 3003/Del/96, 3004/Del/96 & 3005/Del/96.  
 Pandey, R.S.—2111/Del/96.  
 Patent-Trenland-Gesellschaft.—2717/Del/96, 2774/Del/96 & 2794/Del/96.  
 Paul Wurth S.A.—1857/Del/96.  
 Pae, H.L.—2176/Del/96.  
 Pethick & Money Ltd.—1816/Del/96.  
 Pfizer Inc.—1578/Del/96, 1704/Del/96, 1871/Del/96, 1874/Del/96, 1911/Del/96, 2325/Del/96, 2389/Del/96, 2431/Del/96, 2750/Del/96, 2784/Del/96, 2792/Del/96,

2854/Del/96 &amp; 2855/Del/96.

Pfizer Research and Development Co N.V./S.A.—1707/Del/96, 2006/Del/96, 2470/Del/96, 2648/Del/96 & 2900/Del/96.  
 Phadke, R.V.—2689/Del/96.  
 Piaggio Veicoli Europei S.P.A.—1503/Del/96 & 1569/Del/96.  
 Picower Institute for Medical Research, The.—2949/Del/96.  
 Pillsnc Alumic Agrochimic.—2882/Del/96.  
 Ploxide Group Services Ltd.—3012/Del/96.  
 Pohang Iron & Steel Co. Ltd.—1565/Del/96, 1566/Del/96 & 1567/Del/96.  
 Poliofficine Meccaniche S.P.A.—1744/Del/96.  
 Polymer Super Ltd.—2715/Del/96.  
 Polyplastics Co. Ltd.—1548/Del/96, 1852/Del/96 & 2121/Del/96.  
 Power Grid Corporation of India Ltd.—1593/Del/96.  
 Power Tool Holders Inc.—1656/Del/96.  
 Poythomos.—2886/Del/96.  
 Prakash, J.—2280/Del/96.  
 Praxair Technology Inc.—1546/Del/96, 1680/Del/96, 1681/Del/96, 1883/Del/96, 2069/Del/96, 2106/Del/96, 2272/Del/96, 2302/Del/96, 2303/Del/96, 2432/Del/96, 2690/Del/96, 2793/Del/96, 2945/Del/96, 2945/Del/96, 2966/Del/96, & 2973/Del/96.  
 Pravair Technology Inc.—2666/Del/96.  
 Precision Optics Corporation.—2012/Del/96.  
 Priotee Diagnostics Ltd.—2800/Del/96.

Procter & Gamble Co., The.—1539/Del/96, 1540/Del/96, 1580/Del/96, 1581/Del/96, 1603/Del/96, 1604/Del/96, 1627/Del/96, 1628/Del/96, 1629/Del/96, 1630/Del/96, 1631/Del/96, 1632/Del/96, 1633/Del/96, 1634/Del/96, 1635/Del/96, 1668/Del/96, 1701/Del/96, 1711/Del/96, 1712/Del/96, 1731/Del/96, 1774/Del/96, 1775/Del/96, 1776/Del/96, 1827/Del/96, 1828/Del/96, 1879/Del/96, 1882/Del/96, 1902/Del/96, 1932/Del/96, 1937/Del/96, 1938/Del/96, 1960/Del/96, 1987/Del/96, 1988/Del/96, 1989/Del/96, 1990/Del/96, 1991/Del/96, 1992/Del/96, 1993/Del/96, 2007/Del/96, 2008/Del/96, 2027/Del/96, 2042/Del/96.

Procter & Gamble Co., The.—2072/Del/96, 2097/Del/96, 2098/Del/96, 2099/Del/96, 2100/Del/96, 2101/Del/96, 2102/Del/96, 2103/Del/96, 2138/Del/96, 2139/Del/96, 2144/Del/96, 2178/Del/96, 2202/Del/96, 2203/Del/96, 2218/Del/96, 2256/Del/96, 2290/Del/96, 2291/Del/96, 2292/Del/96, 2293/Del/96, 2294/Del/96, 2319/Del/96, 2320/Del/96, 2321/Del/96, 2363/Del/96, 2364/Del/96, 2365/Del/96, 2366/Del/96, 2418/Del/96, 2419/Del/96, 2420/Del/96, 2528/Del/96, 2529/Del/96, 2530/Del/96, 2654/Del/96, 2655/Del/96, 2656/Del/96, 2657/Del/96, 2658/Del/96, 2706/Del/96, 2707/Del/96, 2708/Del/96, 2709/Del/96, 2730/Del/96, 2731/Del/96, 2779/Del/96, 2798/Del/96, 2799/Del/96, 2827/Del/96, 2828/Del/96, 2829/Del/96, 2830/Del/96, 2831/Del/96, 2832/Del/96, 2865/Del/96, 2866/Del/96, 2867/Del/96, 2868/Del/96, 2869/Del/96, 2870/Del/96, 2872/Del/96, 2908/Del/96, 2909/Del/96, 2910/Del/96, 2927/Del/96, 2928/Del/96, 2929/Del/96.

Pulmonary Interface Inc.—2682/Del/96.

## "R"

R P E International Inc.—2879/Del/96.  
 R T S Resource Tronoterm International Ltd.—2664/Del/96.  
 Radius Inc.—2568/Del/96.  
 Ranbaxy Laboratories Ltd.—1683/Del/96.  
 Reckitt & Colman Inc.—2184/Del/96, 2185/Del/96 & 2186/Del/96.

## "R"

Rehm and Haco Co.—2745/Del/96.  
 Reichle + De-Massari AG.—2009/Del/96 & 2041/Del/96.  
 Research Foundation.—2907/Del/96.  
 Research Institute of Industrial Science & Technology.—  
 1565/Del/96, 1566/Del/96 & 1567/Del/96.  
 Reynolds Consumer Products, Inc.—2374/Del/96.  
 Rhone Poulenc Agriculture Ltd.—2749/Del/96 & 2881/  
 Del/96.  
 Rhone-Poulenc Agrochimic.—2598/Del/96.  
 Rhone-Poulenc Chimie.—1465/Del/96 & 2062/Del/96.  
 Rhone Poulenc Rorer S.A.—1492/Del/96, 2788/Del/96,  
 2893/Del/96 & 2894/Del/96.  
 Rhone-Poulenc Viscosuisse, S.A.—1895/Del/96.  
 Ripponlea Australia Pty. Ltd.—1598/Del/96.  
 Rittal-Werk Rudolf Loh GmbH & Co. KG.—2150/Del/96  
 & 2153/Del/96.  
 Rocky Research.—1489/Del/96.  
 Rohm and Haas Co.—1504/Del/96, 1505/Del/96, 1884/  
 Del/96, 2327/Del/96, 2328/Del/96 & 2358/Del/96.  
 Rohm GmbH.—1638/Del/96.  
 Roy Sebaz Co.—2259/Del/96.

## "S"

S. A. Des Etablissement C. Burel.—2298/Del/96.  
 S C I S Miniatures S. A.—1915/Del/96.  
 Sa, A. M. (ING.).—1747/Del/96.  
 Sabharwal, R.—2988/Del/96.  
 Sabre Group, Inc., The.—1969/Del/96.  
 Sab Wabco (Brimbrough) Ltd.—2789/Del/96.  
 Sachdev, A. K.—1783/Del/96.  
 Sachdeva, S.—1848/Del/96 & 1849/Del/96.  
 Saikia, S.—2849/Del/96.  
 Saikin Industries Ltd.—2758/Del/96.  
 Salvay Animal Health Inc.—2776/Del/96.  
 Samsonite Corporation.—2383/Del/96.  
 Samsung Display Device Co. Ltd.—2892/Del/96 & 2942/  
 Del/96.  
 Samsung Electrical Ltd.—2661/Del/96.  
 Samsung Electronics Co. Ltd.—1655/Del/96, 1903/Del/96,  
 2193/Del/96, 2201/Del/96, 2527/Del/96, 2584/Del/96,  
 2652/Del/96 & 2812/Del/96.  
 Sanofi.—2288/Del/96.  
 Sanyo Electric Co. Ltd.—2511/Del/96.  
 Sarma, S.C. (Dr.).—1524/Del/96.  
 Savard, F.—1720/Del/96.  
 Scapa Group Plc.—1709/Del/96 & 2003/Del/96.  
 Schablonentechnik Kuf Stein Ag.—1856/Del/96.  
 Schering AG.—1506/Del/96 & 2211/Del/96.  
 Secretary, Department of Biotechnology, The.—2350/Del/96.  
 Secretary of State for Defence, The.—2240/Del/96.  
 Sega Enterprises Ltd.—2466/Del/96.  
 Sekhon, S.—2733/Del/96.  
 Sevory Trenl Water Ltd.—2817/Del/96.  
 Sharma K.C.—1563/Del/96.  
 Sharma, I.M. (ER).—1618/Del/96 & 2380/Del/96.  
 Sharma, S.C. (Dr.).—2112/Del/96.

Shell Internationale Research Maatschappij B.V.—1768/Del/  
 96, 2092/Del/96, 2120/Del/96, 2223/Del/96, 2244/Del/  
 96, 2476/Del/96, 2478/Del/96, 2667/Del/96, 2718/Del/  
 96 & 2726/Del/96.  
 Sherwood, W. L.—1732/Del/96 & 1834/Del/96.  
 Shook, T.—1957/Del/96.  
 Siemens Schweiz A.G.—2495/Del/96.  
 Singh, D.V.—2606/Del/96.  
 Singh, G.—2376/Del/96.  
 Singh, K.—1844/Del/96.  
 Singh, S.—1783/Del/96 & 2954/Del/96.  
 Sintercast AB.—2373/Del/96.  
 Sirbu, C.—1865/Del/96.  
 Siscovision Associates—2660/Del/96.  
 Smitha Industries Public Ltd. Co.—2168/Del/96.  
 Smith & Nephew Endoscopy Inc.—2019/Del/96, 2155/  
 Del/96, 2382/Del/96, 2385/Del/96 & 2388/Del/96.  
 Smithkline Beecham Composition.—2921/Del/96.  
 Smithkline Beecham Consumer Healthcare GmbH.—1885/  
 Del/96.  
 Smithkline Beecham Corporation.—1557/Del/96, 1674/Del/  
 96, 1974/Del/96, 2300/Del/96, 2359/Del/96, 2367/Del/  
 96, 2457/Del/96, 2469/Del/96, 2485/Del/96, 2853/Del/  
 96, 2856/Del/96, 2883/Del/96, 2940/Del/96, 2950/Del/  
 96, 2951/Del/96 & 2952/Del/96.  
 Smithkline Beecham Plc.—1453/Del/96, 1491/Del/96, 1607/  
 Del/96, 1670/Del/96, 2013/Del/96, 2216/Del/96, 2273/  
 Del/96 & 2974/Del/96.  
 Smithkline Beecham Seiyaku KK.—1976/Del/96.  
 Smithkline Beecham S.P.A.—2016/Del/96, 2569/Del/96,  
 2570/Del/96 & 2571/Del/96.  
 Societa Italiana Prageggi S.R.L.—2895/Del/96.  
 Societe Civile Des Brevets Henri Vidal.—2649/Del/96.  
 Societe Europeenne De propulsion.—1894/Del/96 & 2695/  
 Del/96.  
 Solmap Futuri Design Co. Ltd.—2987/Del/96.  
 Solvay (Society Anonyme).—2015/Del/96 & 2862/Del/96.  
 Sony Cinema Products Corporation.—1931/Del/96.  
 Sony Corporation.—1502/Del/96, 1556/Del/96, 1597/Del/  
 96, 1606/Del/96, 1642/Del/96, 1673/Del/96, 1755/Del/  
 96, 1778/Del/96, 1781/Del/96, 1858/Del/96, 1868/Del/  
 96, 1931/Del/96, 1945/Del/96, 1946/Del/96, 2023/Del/  
 96, 2031/Del/96, 2034/Del/96, 2087/Del/96, 2135/Del/  
 96, 2160/Del/96, 2194/Del/96, 2195/Del/96, 2196/Del/  
 96, 2197/Del/96, 2198/Del/96, 2217/Del/96, 2225/Del/  
 96, 2239/Del/96, 2286/Del/96, 2287/Del/96, 2289/Del/  
 96, 2297/Del/96, 2301/Del/96, 2333/Del/96, 2374/Del/  
 96, 2415/Del/96, 2425/Del/96, 2427/Del/96, 2428/Del/  
 96, 2438/Del/96, 2443/Del/96, 2456/Del/96, 2462/Del/  
 96, 2473/Del/96, 2512/Del/96, 2513/Del/96, 2517/Del/  
 96, 2614/Del/96, 2668/Del/96, 2683/Del/96, 2716/Del/  
 96, 2727/Del/96, 2729/Del/96, 2790/Del/96, 2805/Del/  
 96, 2820/Del/96, 2841/Del/96, 2842/Del/96, 2876/Del/  
 96, 2887/Del/96, 2901/Del/96, 2905/Del/96, 2913/Del/  
 96, 2914/Del/96 & 2967/Del/96.  
 Sood, S. K.—2444/Del/96.  
 Sorvall Products, L. P.—2260/Del/96, 2807/Del/96 & 2808/  
 Del/96.  
 South Africa Micro-Electronic Systems (Proprietary) Ltd.—  
 1920/Del/96.  
 Standard Oil Co., The.—2118/Del/96.  
 Stebi-Tech AG.—1886/Del/96.  
 Steel Authority of India Ltd.—1490/Del/96, 1515/Del/96,  
 1714/Del/96, 1715/Del/96, 1839/Del/96, 1840/Del/96,  
 1841/Del/96, 1900/Del/96, 1955/Del/96, 2126/Del/96  
 & 2486/Del/96.  
 Stephens, A. L.—2490/Del/96.  
 Sterling Commerce, Inc.—2393/Del/96.

## "S"

Stiefel Laboratories, Inc.—2479/Del/96.  
 Stielau, M. E.—2188/Del/96.  
 Strix Ltd.—1713/Del/96, 2219/Del/96 & 2797/Del/96.  
 Sulzer Chemtech AG.—1977/Del/96 & 2651/Del/96.  
 Sumitomo Electric Industries Ltd.—2610/Del/96, 2611/Del/96, 2843/Del/96 & 3010/Del/96.  
 Sunpower, Inc.—2177/Del/96.  
 Sureka, B.—1819/Del/96 & 1820/Del/96.  
 Syma Intercontinental Co.—2699/Del/96 & 2823/Del/96.  
 Syratech Corporation.—2356/Del/96.

## "T"

T A N Technology Ltd.—2693/Del/96.  
 T I S.—1477/Del/96.  
 Tamabe Seiyaku Co. Ltd.—2404/Del/96 & 2525/Del/96.  
 Tanox Bio System, Inc.—2931/Del/96 & 2932/Del/96.  
 Tariq, M. M.—2113/Del/96.  
 Tata Enrgy Research Institute.—2378/Del/96.  
 Technomeccanica S.R.I.—2518/Del/96.  
 Tecnetics Industries, Inc.—1602/Del/96.  
 Telefonaktiefolaget Lm Ericsson.—1659/Del/96, 1922/Del/96 & 2245/Del/96.  
 Terraster, Inc.—2075/Del/96 & 2212/Del/96.  
 Terumo Kabushiki Kaisha.—2167/Del/96 & 2221/Del/96.  
 Texas Biotechnology Corporation.—2701/Del/96 & 2848/Del/96.  
 Three Sigma Corporation.—1594/Del/96.  
 Thermal Energy Accumulator Products Pty. Ltd.—1813/Del/96.  
 Tian, K.—1912/Del/96.  
 Toms, D. J.—2665/Del/96.  
 Torrington Co. The.—1737/Del/96, 1764/Del/96, 1854/Del/96 & 1905/Del/96.  
 Toto Ltd.—2897/Del/96.  
 Transnatic, Inc.—1855/Del/96.  
 Transpac N. V.—2970/Del/96.  
 Trubakimoto Co.—2852/Del/96.  
 Tubular Textile Machinery Corporation.—2043/Del/96, 2044/Del/96, 2045/Del/96, 2046/Del/96 & 2047/Del/96.  
 Turboyne Systems, Inc.—2330/Del/96 & 2769/Del/96.  
 Tyazhmash Corporation, The.—1740/Del/96.

## "U"

U C B, S.A.—1467/Del/96, 2351/Del/96 & 2562/Del/96.  
 U O P.—2777/Del/96 & 2833/Del/96.  
 U S X Engineers and Consultants, Inc.—1624/Del/96.  
 Ucar Carbon Technology Corporation.—2540/Del/96.  
 Uclaf, R.—1691/Del/96, 1734/Del/96, 1771/Del/96, 2235/Del/96, 2368/Del/96, 2375/Del/96 & 2440/Del/96.  
 Union Oil Co. of California.—1620/Del/96.  
 University of Southampton.—1616/Del/96 & 1617/Del/96.  
 University of Sreefield, The.—1769/Del/96.  
 Uprety, N. (Mrs.).—2110/Del/96.

## "V"

Valco Equipments Electriques Motcur.—1708/Del/96.  
 Variwelligent (BVI) Ltd.—2599/Del/96.  
 Vasania, K. C.—1582/Del/96 & 2926/Del/96.  
 Vasil, M. K.—2447/Del/96.  
 Vax Ltd.—1815/Del/96.  
 Veneguda, T. D. (Dr.).—2836/Del/96.  
 Venturu, A. B.—2933/Del/96.  
 Vesuvius France S.A.—1455/De/96, 2312/Del/96 & 2770/Del/96.  
 Voest-Alpine Industrieanlagenbau GmbH.—1565/Del/96, 1566/Del/96, 1567/Del/96, 1730/Del/96, 1961/Del/96, 2181/Del/96, 2182/Del/96, 2183/Del/96, 2230/Del/96 & 2387/Del/96.  
 Voest Alpin GmbH.—2838/Del/96.

## "W"

W M C Resources Ltd.—2680/Del/96.  
 W. R. Grace & Co. Conn.—1592/Del/96, 1608/Del/96, 2785/Del/96 & 2791/Del/96.  
 Warman International Ltd.—2691/Del/96.  
 Warner-Lambert Co.—1576/Del/96, 1577/Del/96, 1579/Del/96, 1676/Del/96, 1677/Del/96, 2115/Del/96, 2315/Del/96 & 2803/Del/96.  
 Wee, L. B.—2384/Del/96.  
 Wei, J. (Mr.).—2222/Del/96.  
 Wellcome Foundation Ltd., The.—1742/Del/96.  
 Westinghouse Air Brake Co.—1925/Del/96 & 1927/Del/96.  
 Westralian Sands Ltd.—2377/Del/96 & 2851/Del/96.

## "X"

Xenotech Research Ltd.—2917/Del/96.

## "Y"

Yadav, S. S.—2446/Del/96.  
 Yi, W. J.—2675/Del/96.

## "Z"

Z T E K Corporation.—2480/Del/96.  
 Zeneca Corporation.—2086/Del/96 & 2088/Del/96.  
 Zeneca Corporation.—2086/Del/96 & 2088/Del/96, 1641/Del/96, 1791/Del/96, 1792/Del/96, 1794/Del/96, 2032/Del/96, 2037/Del/96, 2116/Del/96, 2424/Del/96, 2806/Del/96, 2844/Del/96 & 3013/Del/96.

## PATENT SEALED ON 20-08-99

177663 179985 180378\*D 181633\* 181637\* 181660 181664  
 181665 181668 181681 181687 181690\* 181823\* 181831\*F  
 182001 182003 182004 182005 182007\*F 182008 182009  
 182010 182011 182013\* 182014\* 182015\* 182016 182017  
 182018\*D 182019 182021 182022 182023 182024 182025  
 182026\* 182027 182029 182030 182032 182033 182034  
 182035 182036 182037 182038 182039\*D 182040\*D 182041  
 182043 182045 182046 182047 182048 182049 182050  
 182051 182052 182053 182054 182055\* 182056 182057\*  
 182058\* 182059\*D 182060\*F 182061\* 182062 182063 182064  
 182065 182067 182069 182070 182072 182073\* 182074  
 182075 182076 182078\* 182079

CAL—34, DEL—01, MUM—13, CHEN—33

\*Patent shall be deemed to be endorsed with words LICENCE OF RIGHT Under Section 87 of the Patents Act, 1970 from the date of expiration of three years from the date of sealing.

D Drug Patents

F Food Patents

## REGISTRATION OF DESIGNS

The following designs have been registered. They are not open to inspection for a period of two years from the date of registration except as provided for in Section 50 of the Designs Act, 1911.

The date shown in the each entries is the date of registration included in the entries;

Class 1. No. 178450. Bhogal Exports, Indian Partnership Firm of 732, Industrial Area B, Ludhiana, India. "Assembly for pedal oriented bottom bracket set for bicycles". January 11, 1999.

Class 3. No. 187467. Narain Enterprises, Indian Proprietorship Firm of B-984, Shastri Nagar, Delhi-110 052, India. "Root Trainer". January 12, 1999.

Class 3. No. 178466. Narain Enterprises, Indian Proprietorship Firm of B-984, Shastri Naagr, Delhi-110 052, India. "Plantation Tray". January 12, 1999.

Class 3. No. 178465. Narain Enterprises, Indian Proprietorship Firm of B-984, Shastri Naagr, Delhi-110 052, India. "Plantation Tray". January 12, 1999.

Class 3. Nos. 178448 & 178449. The Goodyear Tire & Rubber Company of 1144, East Market Street, Akron, Ohio 44316-0001, U.S.A. "Tyre Trend". January 11, 1999.

Class 3. Nos. 178424 & 178425. Hindustan Pencils Ltd., Indian Co. of 510, Himalaya House, 79, Palton Road, Mumbai, Maharashtra 400001, India. "Pencil Sharpener". January 6, 1999.

Class 3. No. 178407. AB Halide Maskiner, a Swedish National of Box 1165, S-164, 22 Kista, Sweden. "Cutting device perlaining to food processors". January 4, 1999.

Class 3. No. 178408. AB Halide Maskiner, a Swedish National of Box 1165, 22 Kista, Sweden. "Scraper for good processing". January 4, 1999.

A. E. AHMED  
Controller General of Patents,  
Designs and Trade Marks

प्रबन्धक, भारत सरकार मद्रुणालय, फरीदाबाद द्वारा मुद्रित  
एवं प्रकाशित नियंत्रक, दिल्ली द्वारा प्रकाशित, 1999।

PRINTED BY THE MANAGER, GOVERNMENT OF INDIA PRESS, FARIDABAD,  
AND PUBLISHED BY THE CONTROLLER OF PUBLICATIONS, DELHY, 1999.

